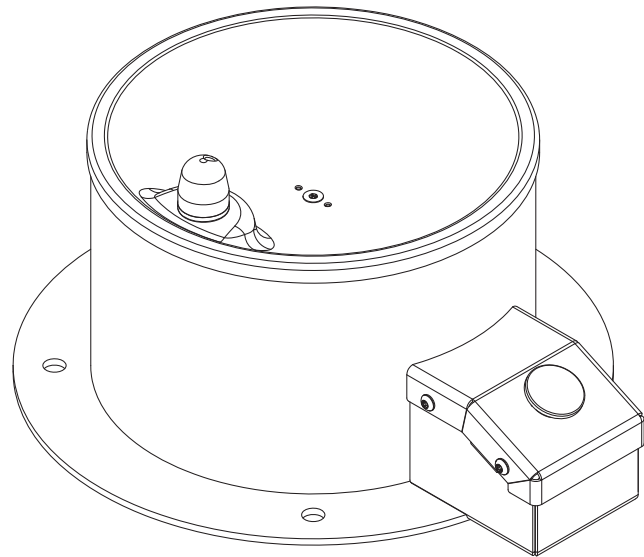


# Willoughby Stainless Fountains



## WOPF-1 Series Outdoor Pet Drinking Fountain



### Recommended Specifications

Willoughby Model **WOPF-1** outdoor pet drinking fountain is a single-level, vandal resistant drinking fountain with Type 304 stainless steel 10" Schedule-10 main column and 7 GA. flange.

Fountain shall have high-polished, 18 GA. stainless steel bowl with anti-rotation, anti-squirt, solid stainless steel bubbler. Bubbler shall be activated by pedestal mounted solid stainless steel foot-operated push button assembly, which controls a lead-free, self-closing valve.

Push button shall require less than 5 lbs. of force to operate. Push button shall be adjustable to ensure adequate flow without being wasteful. **WOPF-1** fountain shall be lead-free, adhering to ANSI/NSF 61, Section 9, ANSI A117.1.

Optional mounting kit available for purchase consisting of stainless steel anchors, nuts, washers and rubber gasket washers. If optional kit is not used, stainless steel hardware recommended.

### Standard Features

- \* Heavy duty Type 304 stainless steel 10" Schedule-10 main column and 7 GA. flange
- \* Optional marine-grade Type 316 stainless steel body for installations near salt water
- \* High polished stainless steel bowl
- \* Solid stainless steel, anti-rotation bubbler
- \* Serviceable mesh strainer on inlet water supply
- \* Resistant to sunlight, heat and vandalism
- \* Stainless steel adjustable push button
- \* Integral slow drain
- \* Powder coat finish (color options on page 2)

To specify fixture and color, use the Model Number and Options Guide.

Example: To specify a WOPF-1 outdoor pet drinking fountain in Orange color

Use the following Willoughby Model Number: **WOPF-1-O**



**WARNING:** Cancer and Reproductive Harm

- [www.P65Warnings.ca.gov](http://www.P65Warnings.ca.gov)

visit our website at [www.willoughbystainlessfountains.com](http://www.willoughbystainlessfountains.com)

5105 West 78th Street • Indianapolis, IN. 46268  
(317) 875-0830 • Fax: (317) 875-0837 • (800) 428-4065



MADE IN THE U.S.A.

## MODEL NUMBER AND OPTIONS:

### 1.) Outdoor Drinking Fountain Type:

- WOPF-1 Outdoor Pet Drinking Fountain

### 2.) Options:

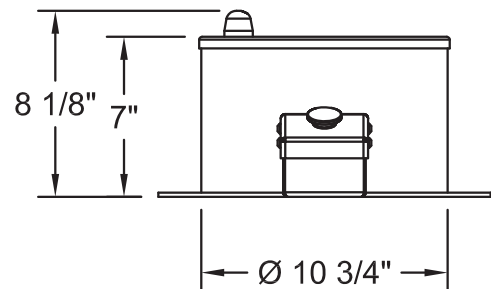
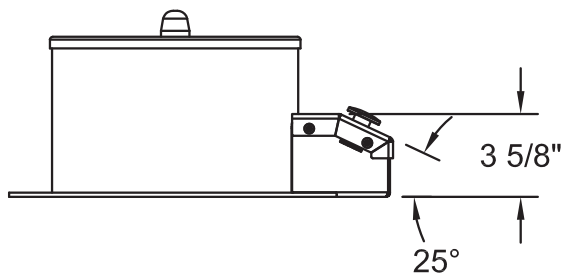
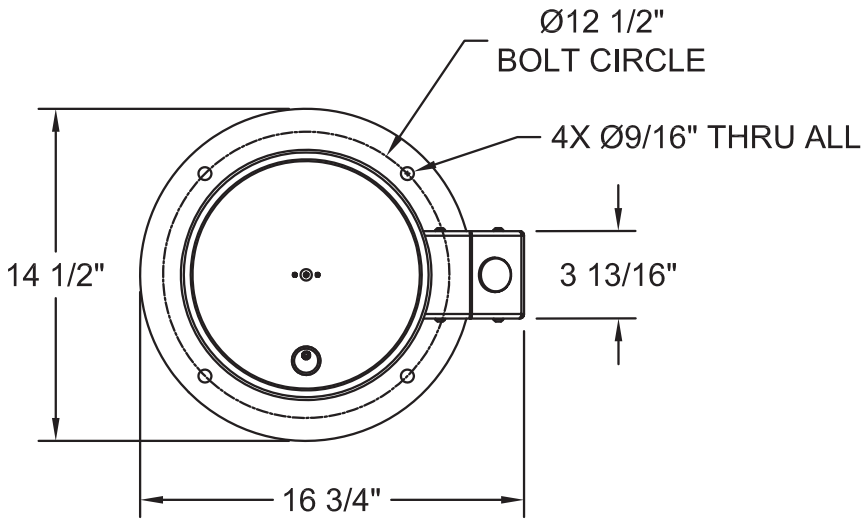
- 316-1 316 Stainless Steel Body, Single  
 CAR-10-1 Surface Carrier, Single  
 (Including mounting hardware)  
 SOV Shut Off Valve  
 SCV Seasonal Bowl Cover (1)  
 WSFMK4 4 Bolt Hole Mounting Kit  
 (Not req'd with Carrier option)

### 3.) Colors (select one):

- SL Silver  
 G Green  
 R Red  
 BL Blue  
 O Orange  
 V Violet  
 Y Yellow  
 BR Brown  
 BK Black  
 BE Beige  
 W White  
 YG Yellow Green  
 LBL Light Blue  
 GT Graphite (Textured)  
 MTW Matte White

Approved For Manufacturing By: \_\_\_\_\_ Date: \_\_\_\_\_ Company: \_\_\_\_\_  
 Wall Thickness: \_\_\_\_\_ Wall Type: \_\_\_\_\_

**VERIFY ALL DIMENSIONS WITH FACTORY PRIOR TO ROUGH-IN**  
 WILLOUGHBY RESERVES THE RIGHT TO MAKE CHANGES IN DESIGN AND DIMENSIONS WITHOUT FORMAL NOTICE AND WITHOUT INCURRING OBLIGATION.



*visit our website at [www.wiloughbystainlessfountains.com](http://www.wiloughbystainlessfountains.com)*

5105 West 78th Street • Indianapolis, IN. 46268  
 (317) 875-0830 • Fax: (317) 875-0837 • (800) 428-4065



MADE IN THE U.S.A.