

Willoughby Stainless Fountains



CWBF-2WM Series Outdoor Wall Mounted Bottle Filler w/Drinking Fountain

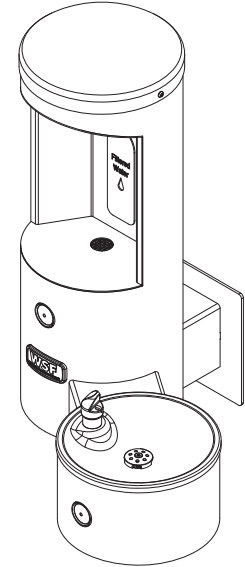
To specify fixture and options, use the Model Number and Options page.

Example: To specify a CWBF-2WM outdoor bottle filler with drinking fountain with recessed pushbutton, and 316 stainless steel body/cap/flange in Blue color

Use the following Willoughby Model Number: CWBF-2WM-RPB-316-2-BL

Standard Features

- * Simple, vandal-resistant pushbutton or optional infrared operation
- * Quick, 1-gallon-per-minute fill rate
- * One-piece fully-welded construction
- * Standard heavy duty type 304 stainless steel 10" Sched. 10 main column and 7 Ga. flange
- * Optional marine-grade type 316 stainless steel body for installations near salt water
- * Solid stainless steel vandal resistant anti-rotation filler spout
- * Solid stainless steel anti-rotation drinking fountain bubbler
- * High polished stainless steel bowl
- * Replaceable in-line charcoal filter on inlet water supply
- * Promotes use of environmentally friendly refillable bottles, reducing use of disposable bottles
- * Compliant to ADA reach height guidelines
- * Powder coat finish (color options on page 2)



Recommended Specifications

Wall mounted outdoor bottle filler shall be Willoughby Model No. CWBF-2WM ____ (see Model Number and Options guide for actuator selection).

Model CWBF-2WM outdoor bottle filler shall be a single-level, vandal resistant drinking fountain with 304 stainless steel 10" Sched. 10 main column and 7 Ga. flange.

Filler spout shall be activated by a recessed mounted solid stainless steel pushbutton assembly which controls a lead-free, self-closing valve (optional battery operated infrared activation available). Pushbutton operation shall require less than 5 lbs. of force.

Model CWBF-2WM bottle filler shall be lead-free and in compliance with ANSI/NSF 61, Section 9 requirements.

Optional 316 stainless steel body (main column, flange, and cap) are available for applications in which the unit's exterior may come into contact with salt water.



WARNING: Cancer and Reproductive Harm

- www.P65Warnings.ca.gov

visit our website at www.willoughbystainlessfountains.com

5105 West 78th Street • Indianapolis, IN. 46268
(317) 875-0830 • Fax: (317) 875-0837 • (800) 428-4065



MADE IN THE U.S.A.

MODEL NUMBER AND OPTIONS:

1.) Outdoor Bottle Filler Type:

- CWBF-2WM 1 Outdoor Bottle Filler, and 1 Drinking Fountain Bowl

2.) Bottle Filler Actuator Options (select one):

- RPB Recessed Push Button
 BO Battery Operated Infrared Sensor

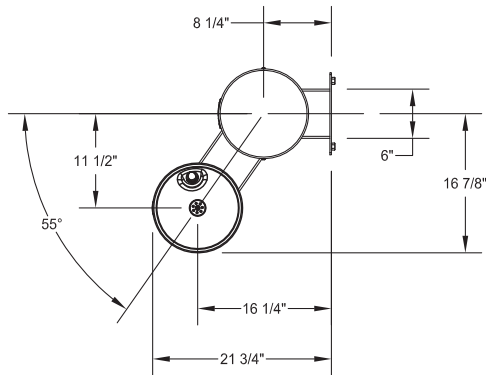
3.) Options:


- 316-2 316 Stainless Steel Body, Double
 SOV Shut Off Valve
 SCV Seasonal Bowl Cover (1)

4.) Colors (select one):

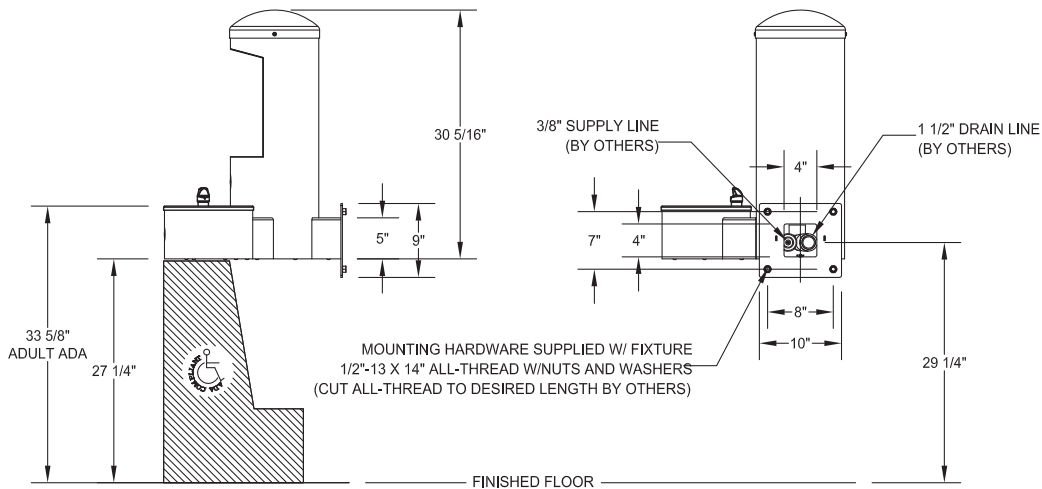
- SL Silver
 G Green
 R Red
 BL Blue
 O Orange
 V Violet
 Y Yellow
 BR Brown
 BK Black
 BE Beige
 W White
 YG Yellow Green
 LBL Light Blue
 GT Graphite (Textured)
 MTW Matte White

Approved For Manufacturing By: _____ Date: _____ Company: _____
 Wall Thickness: _____ Wall Type: _____



 **ADA COMPLIANCE**
 FIXTURE COMPLIES WITH ADA ACCESSIBILITY REQUIREMENTS WHEN INSTALLED ACCORDING TO THE STANDARD. INSTALLATION MAY REQUIRE ADDITIONAL FIXTURES, COMPONENTS AND/OR CONSTRUCTION FEATURES TO BE FULLY COMPLAINT. CONSULT THE LOCAL CODE AUTHORITY IF NEEDED.

VERIFY ALL DIMENSIONS WITH FACTORY PRIOR TO ROUGH-IN
 WILLOUGHBY RESERVES THE RIGHT TO MAKE CHANGES IN DESIGN AND DIMENSIONS WITHOUT FORMAL NOTICE AND WITHOUT INCURRING OBLIGATION.



visit our website at www.wiloughbystainlessfountains.com

5105 West 78th Street • Indianapolis, IN. 46268
 (317) 875-0830 • Fax: (317) 875-0837 • (800) 428-4065



MADE IN THE U.S.A.