

Willoughby Stainless Fountains



CWBF-4ADA Series Outdoor Bottle Filler w/Drinking Fountain

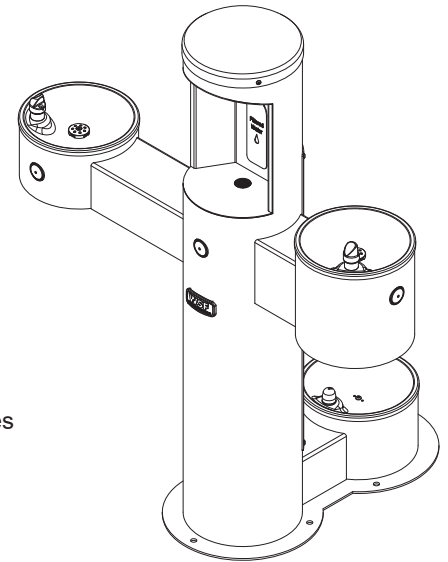
To specify fixture and options, use the Model Number and Options page.

Example: To specify a CWBF-4 outdoor bottle filler with drinking fountain with recessed pushbutton, and 316 stainless steel body/cap/flange in Blue color

Use the following Willoughby Model Number: CWBF-4-RPB-316-BL

Standard Features

- * Adult A.D.A. compliant, Adult standing, and Pet bowls
- * Compliant to ADA reach height guidelines
- * Quick, 1-gallon-per-minute bottle fill rate
- * One-piece fully-welded construction
- * Standard heavy duty type 304 stainless steel 8" Sched. 10 main column and 11 Ga. flange
- * Optional marine-grade type 316 stainless steel body for installations near salt water
- * Solid stainless steel vandal resistant anti-rotation bottle filler spout
- * Solid stainless steel anti-rotation drinking fountain bubbler
- * High polished stainless steel bowl
- * Replaceable in-line charcoal filter on inlet water supply
- * Heavy-duty main column access panels
- * Resistant to sunlight, heat, and vandalism
- * Promotes use of environmentally friendly refillable bottles, reducing use of disposable bottles
- * Powder coat finish (color options on page 2)



Recommended Specifications

Outdoor bottle filler with drinking fountain shall be Willoughby Model No. **CWBF-4ADA-___** (see Model Number and Options guide for actuator selection).

Model **CWBF-4ADA** outdoor bottle filler with drinking fountain shall be a triple-level, vandal resistant drinking fountain with 304 stainless steel 8" Sched. 10 main column and 11 Ga. flange.

Bottle filler spout and fountain bubbler shall be activated by separate recessed mounted solid stainless steel pushbutton assemblies (optional battery operated infrared activation available for bottle filler spout).

Drinking fountain shall have high-polished, 18 gauge stainless steel bowl with anti-rotation, anti-squirt, solid stainless steel bubblers.

All pushbuttons control lead-free, self-closing valves. Pushbutton operation shall require less than 5 lbs. of force.

Flow controls are used to ensure adequate flow without being wasteful. Bottle filler flows 1.0 GPM, drinking fountain flows 0.5 GPM.

Model **CWBF-4ADA** fountain shall be lead-free, adhering to ANSI/NSF 61, Section 9, ANSI A117.1 and American Disabilities Act of 2010 requirements.

Optional 316 stainless steel body (main column, flange, and cap) are available for applications in which the unit's exterior may come into contact with salt water.

Optional mounting kit available for purchase consisting of stainless steel anchors, nuts, washers and rubber gasket washers. If optional kit is not used, stainless steel hardware recommended.



WARNING: Cancer and Reproductive Harm

- www.P65Warnings.ca.gov

visit our website at www.willoughbystainlessfountains.com

5105 West 78th Street • Indianapolis, IN. 46268
(317) 875-0830 • Fax: (317) 875-0837 • (800) 428-4065



MADE IN THE U.S.A.

MODEL NUMBER AND OPTIONS:

1.) Outdoor Bottle Filler Type:

- CWBF-4ADA 1 Outdoor Bottle Filler, and 3 Drinking Fountain Bowls

2.) Bottle Filler Actuator Options (select one):

- RPB Recessed Push Button
 BO Battery Operated Infrared Sensor

3.) Options:

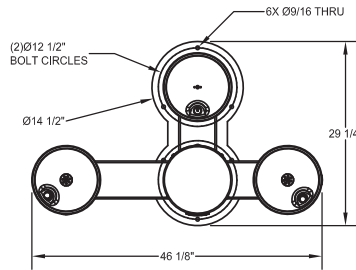
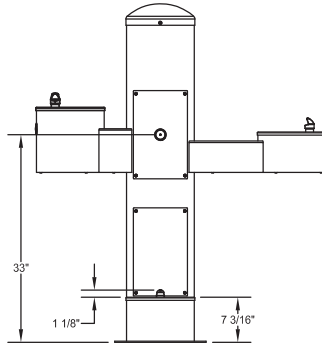
- 316-4 316 Stainless Steel Body, Quadruple
 CAR-10-2 Surface Carrier, Double (Including mounting hardware)
 HBE Hose Bibb Exposed
 HBLD Recessed Hose Bibb W/Lock Door
 SOV Shut Off Valve
 SCV Seasonal Bowl Covers (3)
 WFSMK6 6 Bolt Hole Mounting Kit (Not req'd with Carrier option)

4.) Colors (select one):

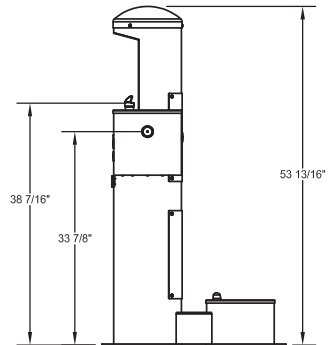
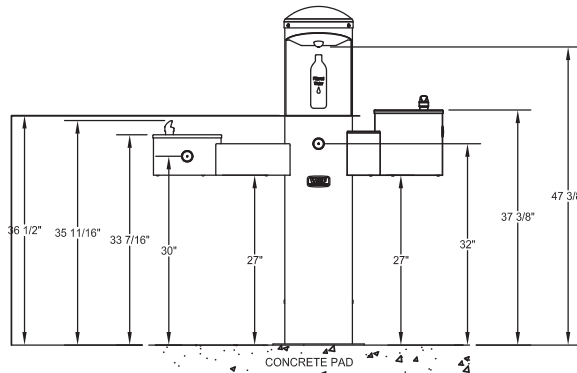
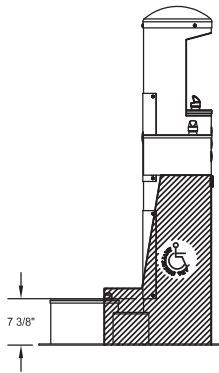
- SL Silver
 G Green
 R Red
 BL Blue
 O Orange
 V Violet
 Y Yellow
 BR Brown
 BK Black
 BE Beige
 W White
 YG Yellow Green
 LBL Light Blue
 GT Graphite (Textured)
 MTW Matte White

Approved For Manufacturing By: _____ Date: _____ Company: _____
 Wall Thickness: _____ Wall Type: _____

VERIFY ALL DIMENSIONS WITH FACTORY PRIOR TO ROUGH-IN
 WILLOUGHBY RESERVES THE RIGHT TO MAKE CHANGES IN DESIGN AND DIMENSIONS WITHOUT FORMAL NOTICE AND WITHOUT INCURRING OBLIGATION.



ADA COMPLIANCE
 FIXTURE COMPLIES WITH ADA ACCESSIBILITY REQUIREMENTS WHEN INSTALLED ACCORDING TO THE STANDARD. INSTALLATION MAY REQUIRE ADDITIONAL FIXTURES, COMPONENTS AND/OR CONSTRUCTION FEATURES TO BE FULLY COMPLIANT. CONSULT THE LOCAL CODE AUTHORITY IF NEEDED.



visit our website at www.wiloughbystainlessfountains.com

5105 West 78th Street • Indianapolis, IN. 46268
 (317) 875-0830 • Fax: (317) 875-0837 • (800) 428-4065



MADE IN THE U.S.A.