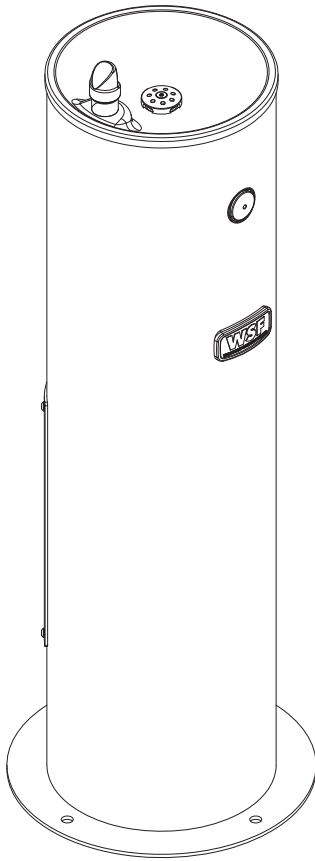


# Installation & Operation Manual

## WODF Series

### One-, Two-, and Three-station Outdoor Drinking Fountains



**WODF-1**

#### Table of Contents

Pre-Installation Information.....	3
Standard Fountain Configurations.....	4
Physical Dimensions .....	5
Rough-in Dimensions .....	6
Required Installation Supplies .....	8
Parts List and Exploded-view Drawings.....	9
Hardware Identification .....	13
Installation Instructions .....	
Step 1: Fixture Installation .....	14
Step 2: Adjusting Drinking Spout Flow.....	15
Care and Maintenance .....	16
Troubleshooting .....	
WODF Drinking Fountain .....	17
Drawings.....	
Physical Dimensions .....	18
Rough-in Dimensions .....	22
Push Button Details .....	24
Warranty.....	26



#### ***Willoughby Stainless Fountains***

5105 West 78th Street

Indianapolis, IN 46268

Toll Free: (800) 428-4065

Local: (317) 875-0830

Fax: (317) 875-0837

[www.willoughbystainlessfountains.com](http://www.willoughbystainlessfountains.com)

MADE IN THE U.S.A.



***(Page intentionally left blank)***

## Pre-Installation Information

# Installation notice!

Check Rough-In location **PRIOR** to installation

Flush lines thoroughly **PRIOR** to hook-up

When installing the **Willoughby Stainless Fountains' WODF Series** drinking fountain system:

Before step 1 of the installation instructions, ensure that rough-ins are in the correct location.

The valve assembly, including the spray head, **MUST NOT BE** connected until *after* all lines have been flushed to remove the small particles of debris that are inherent with new construction projects and all chemicals that are used in flushing are purged from the system.

Chemicals used in flushing plumbing systems can attack the internal components of the valve and spray head and severely damage them, so any flushing of the system must be followed by a full flushing with pure water to clear any harsh chemicals remaining in the system. Debris in the system if allowed to enter the valve assembly and spray head can cause poor performance or outright failure.

Again **DO NOT** attempt to connect the valve assembly and spray head until *after* all flushing is complete and pure water is the only media that will be passing through the system. Damage to the valve assembly or spray head caused by harsh chemicals or debris will not be covered by the manufacturer's warranty.

Any fittings provided by the installer should be made of plastic to electrically isolate the unit from the building or connected plumbing system.

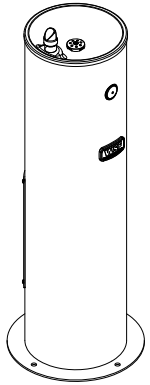
The grounding of electric equipment such as telephones, computers, etc, to water lines is a common procedure. This grounding can cause electrical feedback into a water fountain or similar fixture, causing electrolysis, which results in a metallic taste or an increase in the metal content of the water. This can easily be avoided by using the proper materials as indicated.

# Installation notice!

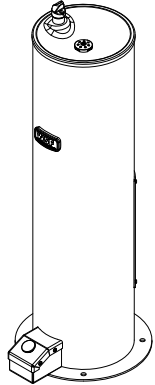
Check Rough-In location **PRIOR** to installation

Flush lines thoroughly **PRIOR** to hook-up

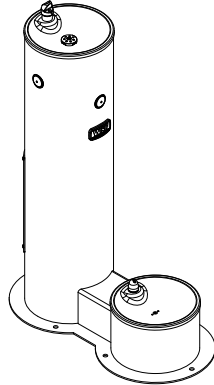
# Standard Fountain Configurations- WODF Series



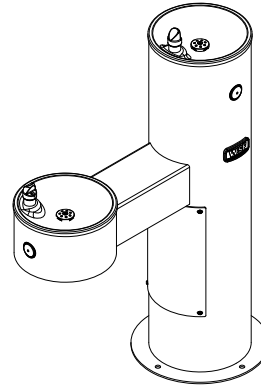
WODF-1



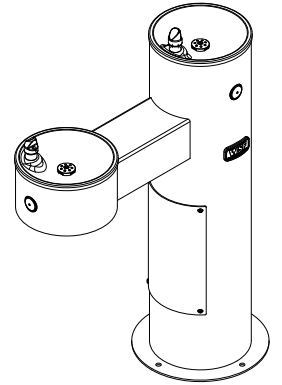
WODF-1-HF-FO



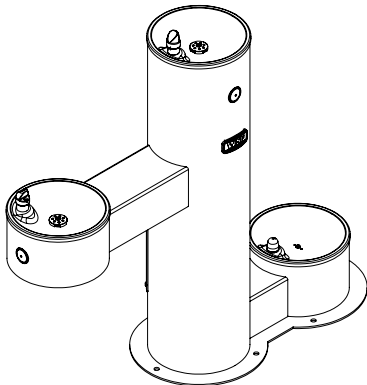
WODF-2-PET



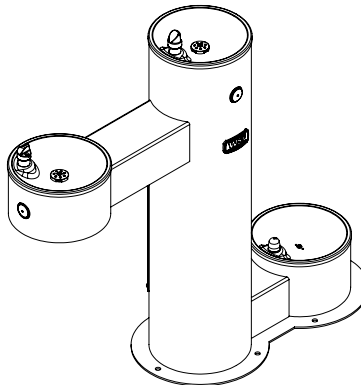
WODF-2-CHD



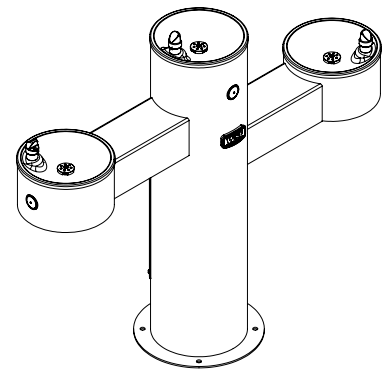
WODF-2-HC



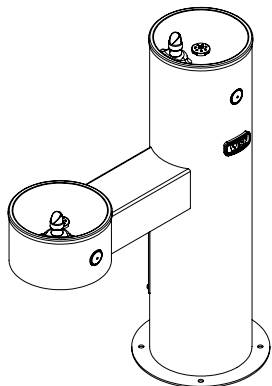
WODF-3-CHD-PET



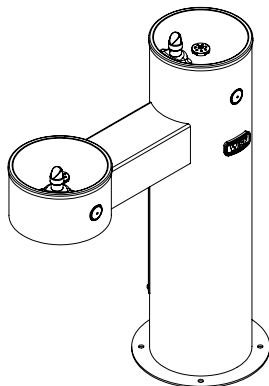
WODF-3-HC-PET



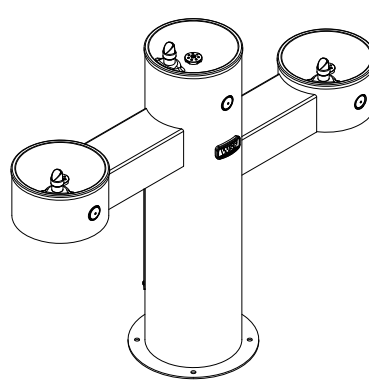
WODF-3-HC-CHD



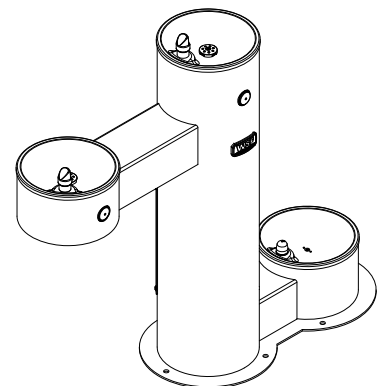
WODF-2FA-CHD



WODF-2FA-HC



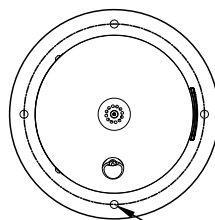
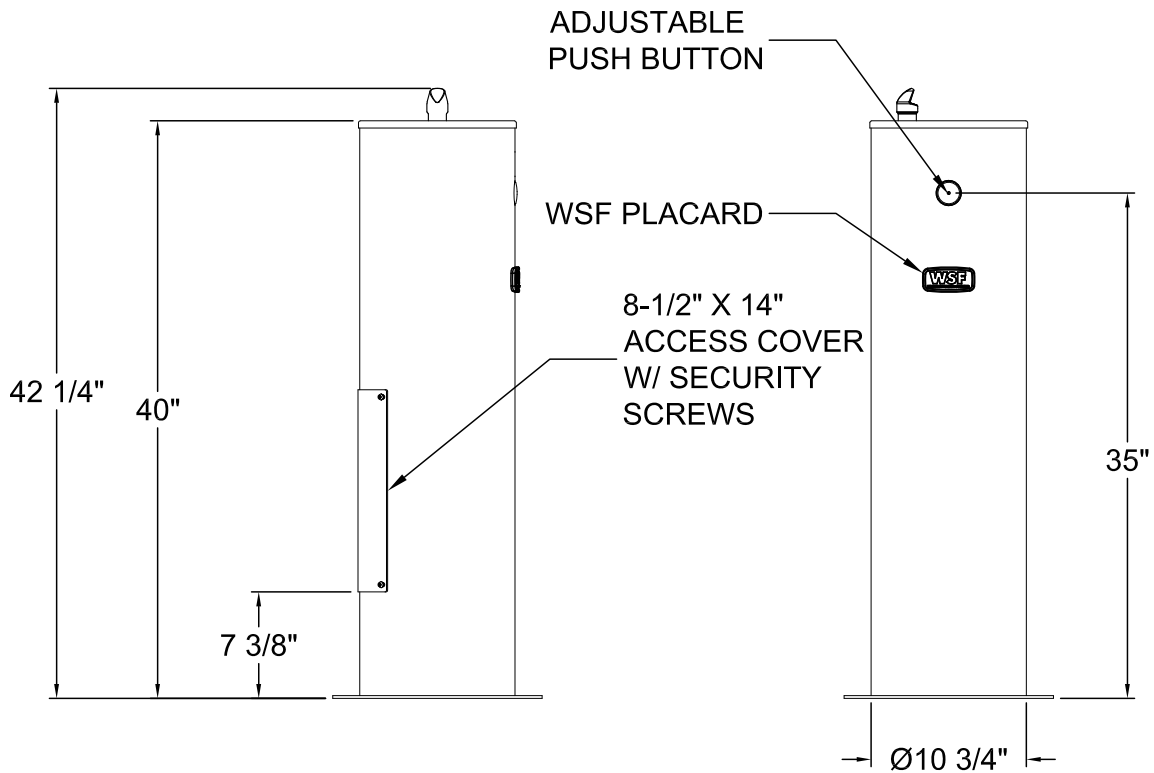
WODF-3FA-HC-CHD



WODF-3FA-HC-PET

# Physical Dimensions- WODF-1

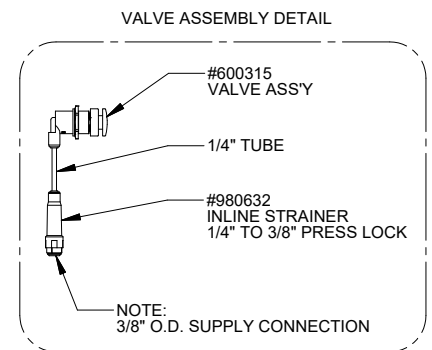
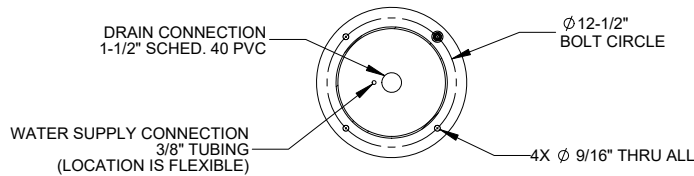
\*WODF-1 shown; for WODF-2 and WODF-3 model variations, refer to factory drawings. Contact Willoughby Stainless Fountains if further information is needed.



(4) Ø9/16" THROUGH HOLES ON Ø12-1/2" BOLT CIRCLE

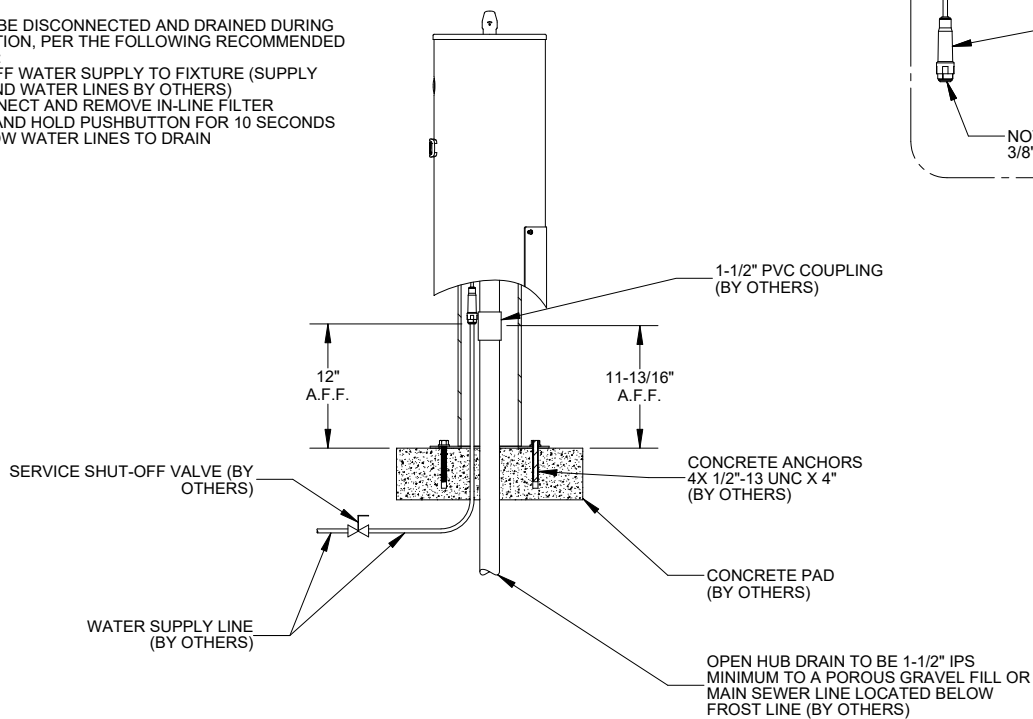
# Rough-in Dimensions- WODF Series

**\*WODF-1 shown; applicable to all WODF-2 and WODF-3 model variations without Pet Fountain**



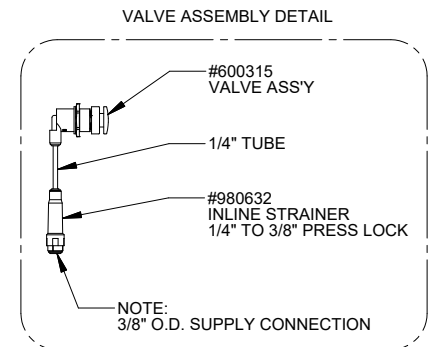
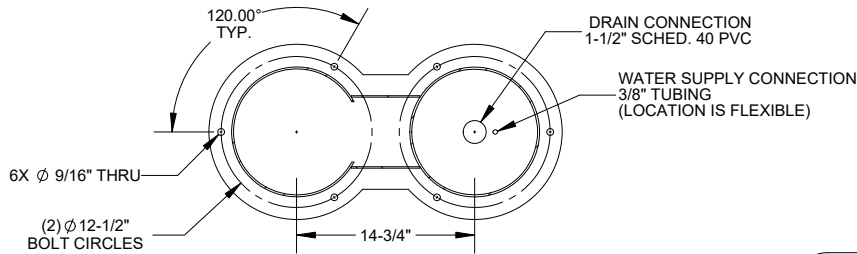
NOTE:  
 UNIT MUST BE DISCONNECTED AND DRAINED DURING WINTERIZATION, PER THE FOLLOWING RECOMMENDED PRACTICES:

- SHUT OFF WATER SUPPLY TO FIXTURE (SUPPLY STOP AND WATER LINES BY OTHERS)
- DISCONNECT AND REMOVE IN-LINE FILTER
- PRESS AND HOLD PUSHBUTTON FOR 10 SECONDS TO ALLOW WATER LINES TO DRAIN



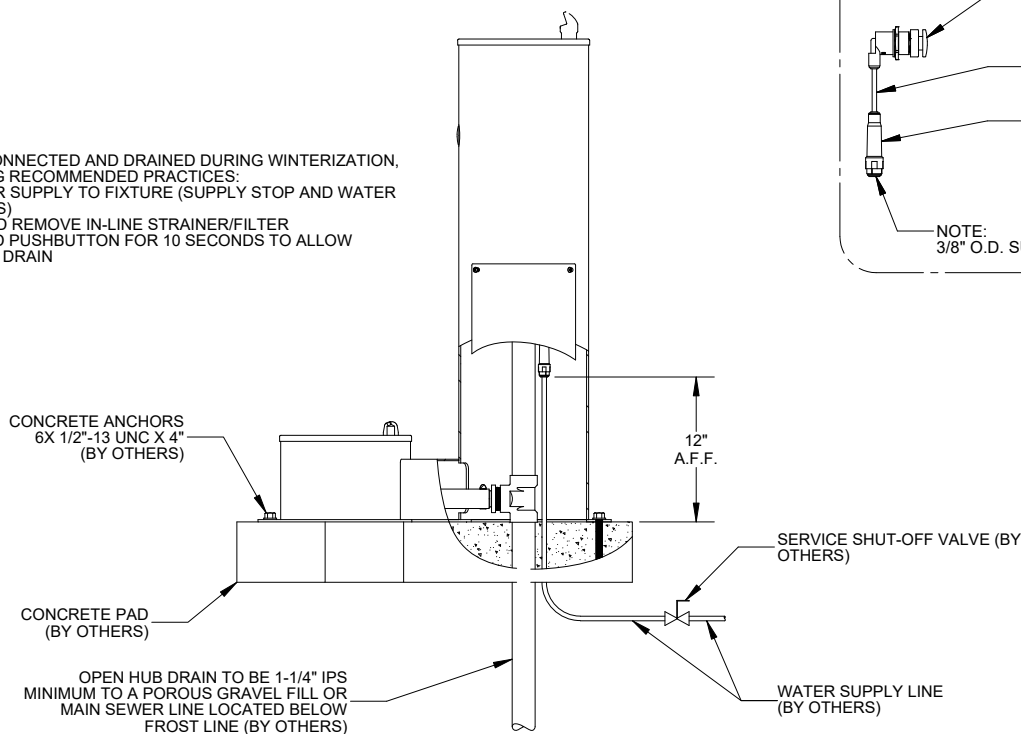
# Rough-in Dimensions- WODF Series w/ Pet Fountain

**\*WODF-2-PET shown; applicable to all WODF-2 and WODF-3 model variations with Pet Fountain**



NOTE:  
UNIT MUST BE DISCONNECTED AND DRAINED DURING WINTERIZATION, PER THE FOLLOWING RECOMMENDED PRACTICES:

- SHUT OFF WATER SUPPLY TO FIXTURE (SUPPLY STOP AND WATER LINES BY OTHERS)
- DISCONNECT AND REMOVE IN-LINE STRAINER/FILTER
- PRESS AND HOLD PUSHBUTTON FOR 10 SECONDS TO ALLOW WATER LINES TO DRAIN



## **Required Installation Supplies**

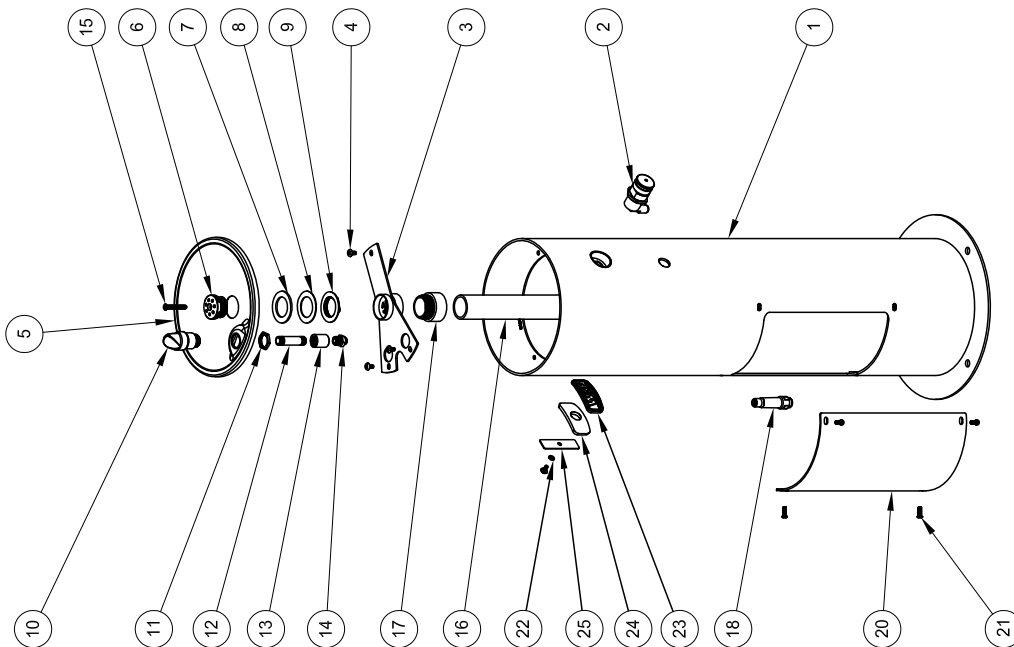
- Proper mounting hardware
- Proper plastic fittings as indicated
- Hardware for waste outlet connections
- Gasket for waste outlet connection
- Shims (for installation if necessary)
- Supply piping
- Silicone caulk
- Plumbers putty

**☐ WARNING: Willoughby Stainless Fountains does not assume any responsibility for personal injury or damage to equipment due to an improperly installed WODF Series Drinking Fountain**



# Parts List and Exploded-view Drawing- WODF-1

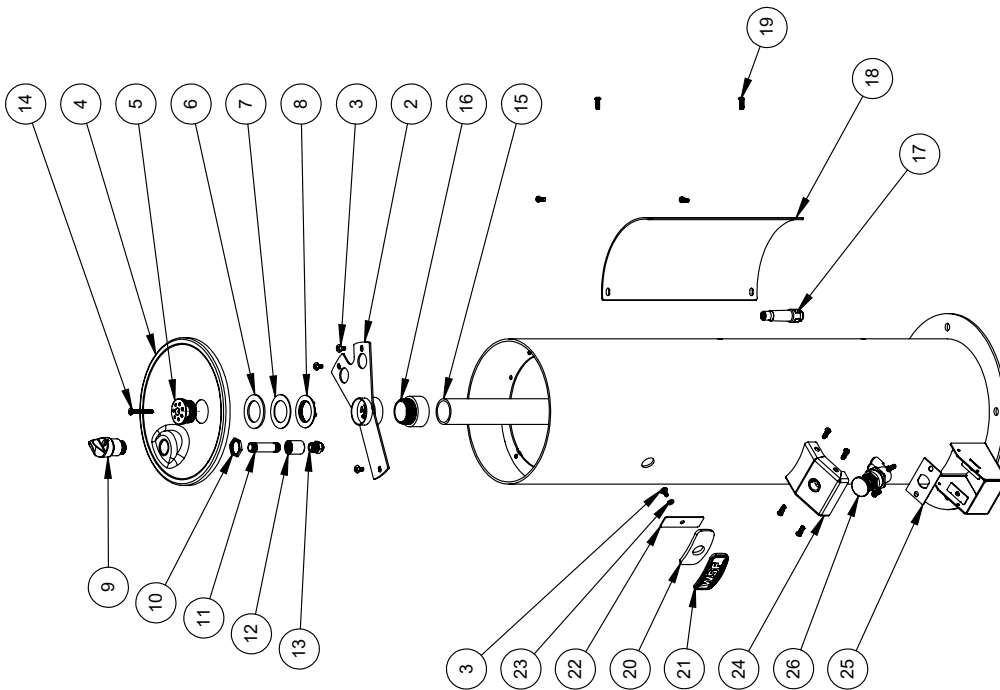
NOTE: WILLOUGHBY PART #600471 - 1/4" TUBING  
NOT SHOWN IN EXPLODED VIEW.



ITEM #	PART #	DESCRIPTION	QTY.
1	S200027	WELDED BODY ASSY - WODF-1	1
2	600315	VALVE ASSEMBLY, ADJUSTABLE PUSHBUTTON	1
3	S200031	RECEPTOR SUPPORT ASSEMBLY	1
4	800144	SCREW, PHILLIP (TH), S/S, 1/4-20 X 1/2" TRUSS HEAD	4
5	S200032	STANDARD BOWL, STRAIGHT DOUBLE-D - 1-3/4" DEPTH	1
6	380301	DRAIN, ODF, 2" O.D., STAINLESS STEEL	1
7	380274	GASKET, 1-1/2" DRAIN	1
8	380273	DRAIN WASHER, 1-5/8"	1
9	600043	NUT, 1 5/8"-12 THD FOR 1-1/2" DRAIN	1
10	600585	BUBBLER; DRINKING FOUNT, DECK MOUNTED, COMMERCIAL	1
11	600612N	HEXNUT, 3/4"-14 NPSM	1
12	320469	NIPPLE, 3/8" NPT X 2.5" LONG	1
13	320091	COUPLING, 3/8" FPT STAINLESS STEEL	1
14	320437	ADAPTER, 3/8" NPTF MALE X 1/4" TUBE PUSH-TO-CONNECT	1
15	450955N	1/4"-20 x 2" FH SECURITY SCREW	1
16	320280-24	PVC PIPE, 1-1/2" SCHED. 40 X 24" LONG	1
17	320284	PVC THREADED ADAPTER, 1-1/2"	1
18	980632	STRAINER, IN-LINE, 1/4 TO 3/8 PRESS LOCK	1
19	600471	TUBING, 1/4" OD NATURAL POLYETHYLENE	2
20	S200076	ACCESS COVER - 14" X 8-1/2"	1
21	450255N	SCREW, 1/4-20 x 3/4 SECURITY SCREW (BH)	4
22	800111	WASHER, SPLIT LOCK, ZINC 1/4IN, S/S	1
23	701494	WSF PLACARD, STAINLESS STEEL, 1.75X3.75	1
24	701493	GASKET, WSF PLACARD	1
25	S200442	WSF PLACARD WASHER	1

# Parts List and Exploded-view Drawing- WODF-1-HF-FO

**NOTE:** WILLOUGHBY PART #600471 - 1/4" TUBING  
NOT SHOWN IN EXPLODED VIEW.



ITEM #	PART #	DESCRIPTION	QTY.
1	S200466	WELDED BODY ASSEMBLY - HANDS FREE	1
2	S200031	RECEPTOR SUPPORT ASSEMBLY	1
3	800144	SCREW, PHILLIP (TH), S/S, 1/4-20 X 1/2" TRUSS HEAD	4
4	S200032	STANDARD BOWL, STRAIGHT DOUBLE-D - 1-3/4" DEPTH	1
5	380301	DRAIN, ODF, 2" O.D., STAINLESS STEEL	1
6	380274	GASKET, 1-1/2" DRAIN	1
7	380273	DRAIN WASHER, 1-5/8"	1
8	600043	NUT, 1 5/8"-12 THD FOR 1-1/2" DRAIN	1
9	600585	BUBBLER, DRINKING FOUNT, DECK MOUNTED, COMMERCIAL	1
10	600612N	HEXNUT, 3/4"-14 NPSM	1
11	320469	NIPPLE, 3/8" NPT X 2.5" LONG	1
12	320091	COUPLING, 3/8" FPT STAINLESS STEEL	1
13	320437	ADAPTER, 3/8" NPTF MALE X 1/4" TUBE PUSH-TO-CONNECT	1
14	4509SSN	1/4"-20 x 2" FH SECURITY SCREW	1
15	320280-24	PVC PIPE, 1-1/2" SCHED. 40 X 24" LONG	1
16	320284	PVC THREADED ADAPTER, 1-1/2"	1
17	980632	STRAINER, IN-LINE, 1/4 TO 3/8 PRESS LOCK	1
18	S200076	ACCESS COVER - 14" X 8-1/2"	1
19	4502SSN	SCREW, 1/4-20 x 3/4 SECURITY SCREW (BH)	10
20	701493	GASKET, WSF PLACARD	1
21	701494	WSF PLACARD, STAINLESS STEEL, 1.75X3.75	1
22	S200442	WSF PLACARD WASHER	1
23	800111	WASHER, SPLIT LOCK,ZINC 1/4in, S/S	1
24	S200470	COVER WELDMENT - REMOVABLE - FOOT ACTIVATION	1
25	S200462	BRIDGE - FOOT ACTIVATION	1
26	600390	VALVE ASSEMBLY - SELF CLOSING - FOOT ACTIVATION	1
27	600471	TUBING, 1/4" O.D. X 0.17" I.D.	1

# Parts List and Exploded-view Drawing- WODF-2-PET

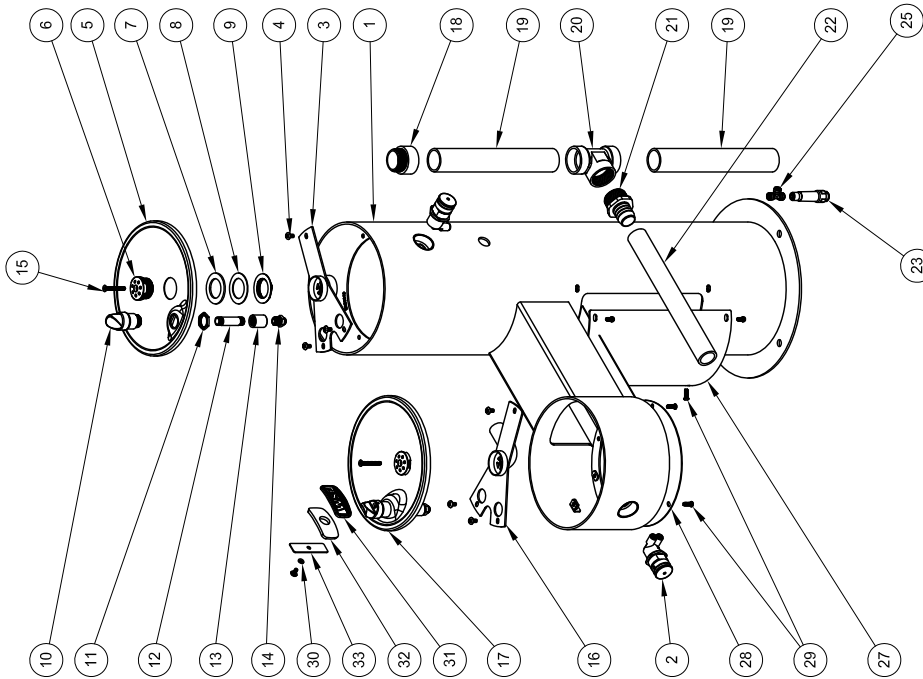
NOTE: WILLOUGHBY PART #600471 - 1/4" TUBING NOT SHOWN IN EXPLODED VIEW.

ITEM #	PART #	DESCRIPTION	QTY.
1	S200047	WELDED BODY ASSY - WODF-2-PET	1
2	600315	VALVE ASSEMBLY, ADJUSTABLE PUSHBUTTON	2
3	S200031	RECEPTOR SUPPORT ASSEMBLY	1
4	800144	SCREW, PHILLIP (TH), SIS, 1/4-20 X 1/2" TRUSS HEAD	7
5	S200032	STANDARD BOWL, STRAIGHT DOUBLE-D - 1-3/4" DEPTH	1
6	380301	DRAIN, ODF, 2" O.D., STAINLESS STEEL	1
7	380274	GASKET, 1-1/2" DRAIN	1
8	380273	DRAIN WASHER, 1-5/8"	1
9	600043	NUT, 1 5/8"-12 THD FOR 1-1/2" DRAIN	1
10	600585	BUBBLER, DRINKING FOUNT, DECK MOUNTED, COMMERCIAL	1
11	600612N	HEX NUT, 3/4"-14 NPSM	2
12	320469	NIPPLE, 3/8" NPT X 2.5" LONG	1
13	320091	COUPLING, 3/8" FPT STAINLESS STEEL	2
14	320437	ADAPTER, 3/8" NPTF MALE X 1/4" TUBE PUSH-TO-CONNECT	1
15	4509SSN	1/4"-20 x 2" FH SECURITY SCREW	2
16	S200034	RECEPTOR SUPPORT ASSEMBLY w/DRAIN ELBOW	1
17	S200237	PET BOWL - 1-3/4" DEPTH	1
18	380056	(PBB) 30 DEG. PET BOWL BUBBLER	1
19	S200290	SPACER, BUBBLER MOUNTING	1
20	320478	NIPPLE 3/8" x 1.0" T304 SS	1
21	320575	ELBOW, 3/8" NPTF MALE X 1/4" TUBE PUSH-TO-CONNECT	1
22	320284	PVC THREADED ADAPTER, 1-1/2"	1
23	320280	PVC PIPE, 1-1/2" SCHED. 40 X 32-3/4" LONG	1
24	320282	CLEANOUT TEE, 1-1/2" PVC	1
25	320286	BARB ADAPTER, 1-1/2" MIP X 1-1/4" PVC	1
26	320288	NYLABRAID REINFORCED VINYL TUBING, 1-1/4" X 8.75' LONG	1
27	980617	WORM GEAR PIPE CLAMP, 2"	2
28	980632	STRAINER, IN-LINE, 1/4 TO 3/8 PRESS LOCK	1
29	600471	TUBING, 1/4" OD X 0.17" ID	1
30	320438	TEE, 1/4" PUSH-TO-CONNECT	1
31	S200076	ACCESS COVER - 14" X 8-1/2"	1
32	4502SSN	SCREW, 1/4-20 x 3/4 SECURITY SCREW (BH)	4
33	701494	WSF PLACARD, STAINLESS STEEL, 1.75X3.75	1
34	800111	WASHER, SPLIT LOCK,ZINC 1/4in. S/S	1
35	701493	GASKET, WSF PLACARD	1
36	S200442	WSF PLACARD WASHER	1

# Parts List and Exploded-view Drawing- WODF-2-CHD / WODF-2-HC

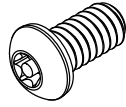
NOTE: WILLOUGHBY PART #600471 - 1/4" TUBING NOT SHOWN IN EXPLODED VIEW.

ITEM #	PART #	DESCRIPTION	QTY.
1	S200037	WELDED BODY ASSY - WODF-2-CHD	1
2	600315	VALVE ASSEMBLY, ADJUSTABLE PUSHBUTTON	2
3	S200031	RECEPTOR SUPPORT ASSEMBLY	1
4	800144	SCREW, PHILLIP (TH), S/S, 1/4-20 X 1/2" TRUSS HEAD	7
5	S200032	STANDARD BOWL, STRAIGHT DOUBLE-D - 1-3/4" DEPTH	1
6	380301	DRAIN, ODF, 2" O.D., STAINLESS STEEL	2
7	380274	GASKET, 1-1/2" DRAIN	2
8	380273	DRAIN WASHER, 1-5/8"	2
9	600043	NUT, 1 5/8"-12 THD FOR 1-1/2" DRAIN	2
10	600585	BUBBLER, DRINKING FOUNT, DECK MOUNTED, COMMERCIAL	2
11	600612N	HEXNUT, 3/4"-14 NPSM	2
12	320469	NIPPLE, 3/8" NPT X 2.5" LONG	2
13	320091	COUPLING, 3/8" FPT STAINLESS STEEL	2
14	320437	ADAPTER, 3/8" NPTF MALE X 1/4" TUBE PUSH-TO-CONNECT	2
15	4509SSN	1/4"-20 x 2" FH SECURITY SCREW	2
16	S200034	RECEPTOR SUPPORT ASSEMBLY w/DRAIN ELBOW	1
17	S200033	ADA BOWL, 40-DEG, 1-3/4" DEPTH	1
18	320284	PVC THREADED ADAPTER, 1-1/2"	1
19	320280-11.75	PVC PIPE, 1-1/2" SCHED, 40 X 11-3/4" LONG	2
20	320282	CLEANOUT TEE, 1-1/2" PVC	1
21	320286	BARB ADAPTER, 1-1/2" MP X 1-1/4" PVC	1
22	320288-14	NYLABRAID REINFORCED VINYL TUBING, 1-1/4" X 14" LONG	1
23	980632	STRAINER, IN-LINE, 1/4 TO 3/8 PRESS LOCK	1
25	320438	TEE, 1/4" PUSH-TO-CONNECT	1
26	600471	TUBING, 1/4" O.D. X 0.17" ID.	1
27	S200076	ACCESS COVER - 14" X 8-1/2"	1
28	S200075	OUTER BOTTOM COVER - ADA / CHILD	1
29	4502SSN	SCREW, 1/4-20 x 3/4 SECURITY SCREW (BH)	9
30	800111	WASHER, SPLIT LOCK, ZINC 1/4in. S/S	1
31	701494	WSF PLACARD, STAINLESS STEEL, 1.75X3.75	1
32	701493	GASKET, WSF PLACARD	1
33	S200442	WSF PLACARD WASHER	1

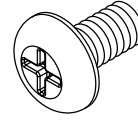


# **Hardware Identification**

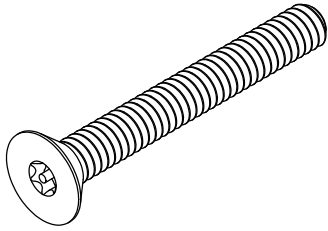
## **WODF Series Hardware**



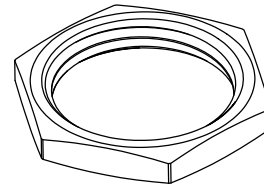
1/4"-20 x 1/2"  
SECURITY SCREW  
4500NSS



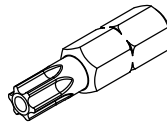
1/4"-20 x 1/2"  
PHILLIPS SCREW  
800144



1/4"-20 x 2"  
FLAT HEAD SECURITY SCREW  
4509SSN



3/4" NPT  
BRASS LOCKNUT  
600612N



T27  
1/4" PINNED TORX BIT  
800115

# **Installation Instructions**

## **Step 1: Fixture Installation**

**Note: the WODF outdoor drinking fountain is to be mounted on a flat, level surface (concrete or otherwise) with an adequate support structure.**

**Note: refer to Rough-In Dimensions for locating plumbing connections.**

- 1.) Install service shut-off valve in water supply line (valve not furnished).
- 2.) Locate and install drinking fountain using 1/2"-13 x 4" stainless steel concrete anchors (anchors not furnished).
- 3.) As noted previously, flush the water supply line with clean drinking water before making final connections to the drinking fountain.
- 4.) Connect water supply line to inline strainer inside drinking fountain using 3/8" plastic tubing (extra tubing not furnished). Push tube straight into fitting on filter about 3/4" until it reaches a positive stop. Water supply connection must comply with local codes.
- 5.) Connect fountain drain line to drainage system. Drain is to be 1-1/2" IPS minimum to a porous gravel fill or main sewer line located below frost line. Installer to provide waste trap downstream of drain connection. Drain and waste trap must comply with local codes.
- 6.) Turn on water supply and check both the water supply lines and drain lines for leaks.

\*If you have a Push Button model fountain or bottle filler, go to **Step 2A**

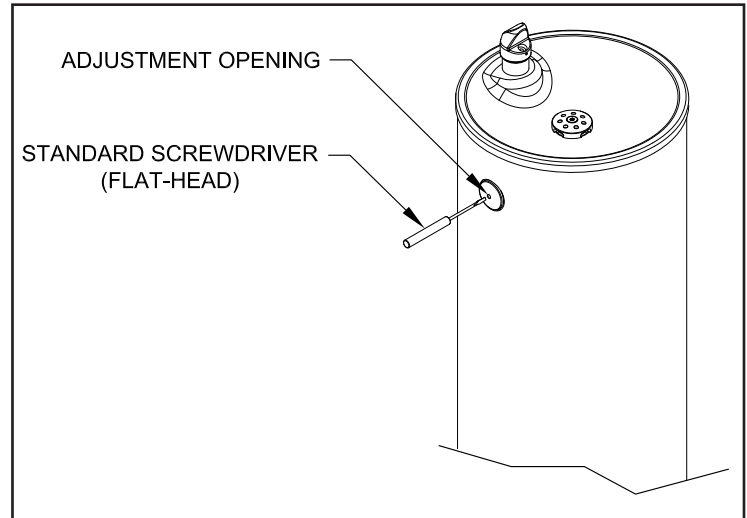
If you have a Foot Operated model bottle filler, go to **Step 2B**

# **Installation Instructions (cont.)**

## **Step 2A: Adjusting Drinking Fountain Flow**

- 1.) Insert a standard flat-head screwdriver into adjustment opening on face of push button, as shown.
- 2.) Rotate screwdriver to adjust until desired flow is achieved:

Rotate clockwise to increase flow.  
Rotate counterclockwise to decrease flow.



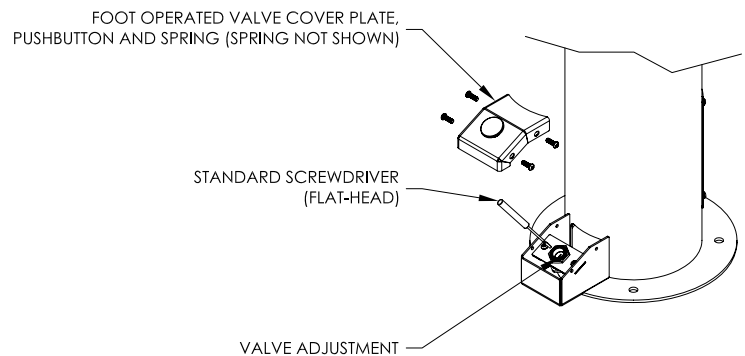
**(WODF-1 shown)**

## **Step 2B: Foot Operated Adjusting Flow**

- 1.) Remove the foot plate cover, pushbutton and spring from the base of the fixture.
- 2.) Using a standard flat-head screwdriver, adjust as shown until desired flow is achieved:

Rotate clockwise to increase flow.  
Rotate counterclockwise to decrease flow.

- 3.) Replace the foot plate cover, pushbutton and spring from onto base of the fixture.



# **Care and Maintenance**

## **Unit Care**

Willoughby Stainless Fountains' WODF Outdoor Drinking Fountains are not freeze resistant. The unit should be disconnected or shut off from the water supply and drained during the colder months. For more information, refer to the rough-in detail.

In order to ensure adequate flow and cleanliness of water, the inline strainer in the supply line should be cleaned or replaced regularly. New inline strainers can be ordered using Willoughby Part No. 980632.

---

## **Stainless Steel Care**

Stainless Steels are basically alloys of iron and chromium and are corrosion resistant. Stainless steel has a bright surface that is easy to clean and is free from oxides. Therefore, cleaning of stainless steel is relatively simple and easy if done on a regular basis.

Frequency of cleaning should depend on the rate at which the fixture becomes dirty. Remember that fresh (soft) deposits of all kinds are relatively easy to remove, while removing older (hard) deposits are much more difficult. Establish a cleaning SCHEDULE.

Routine cleaning should involve ordinary soap or detergent and water, applied with a sponge, brush or cloth. Baking soda, borax or any of several non-abrasive commercial cleansing agents can help hasten the cleaning action. After scrubbing, rinse THOROUGHLY and wipe dry.

DO NOT use common steel wool, scouring pads, scrapers, wire brushes, files or other steel tools to clean stainless steel. Such items will scratch the surface or leave small particles of iron imbedded in the surface, which will eventually rust and stain the surface - even appearing as if the stainless itself was rusting.

Certain chemical compounds, if used on stainless steel, can give the appearance of rust and if allowed to stand for long periods of time, can pit the surface of even stainless. Products containing hydrochloric acid, muriatic acid or potassium hydrochloride can ruin the surface.



# **Troubleshooting-** **WODF Drinking Fountain**

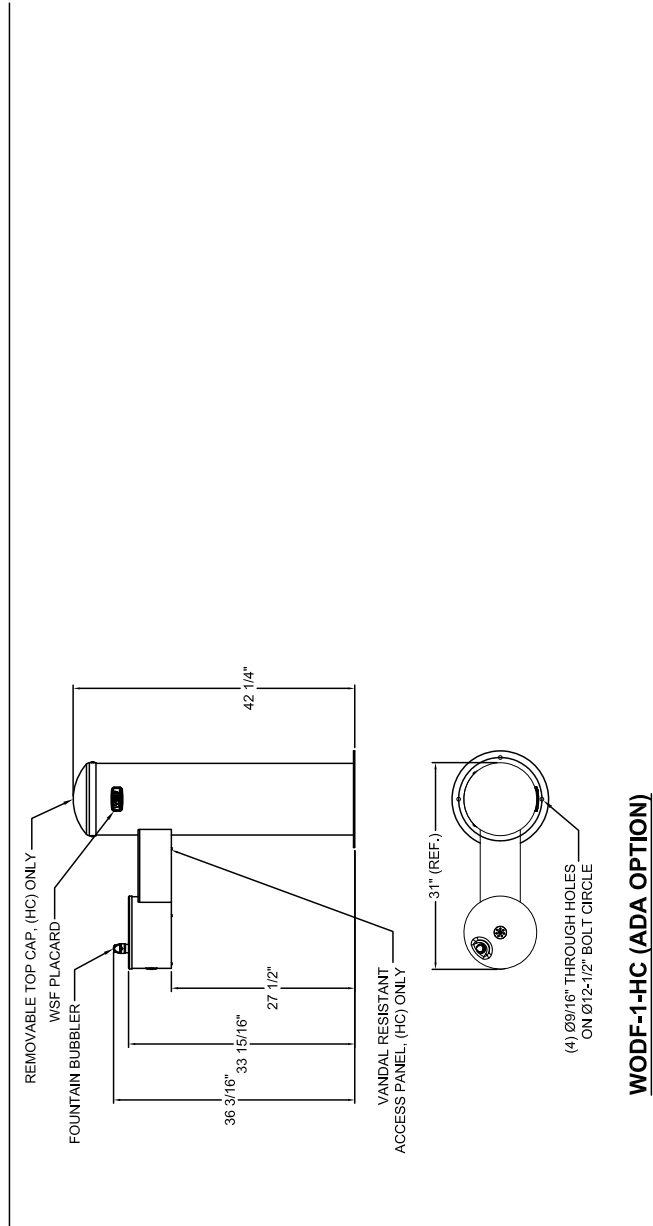
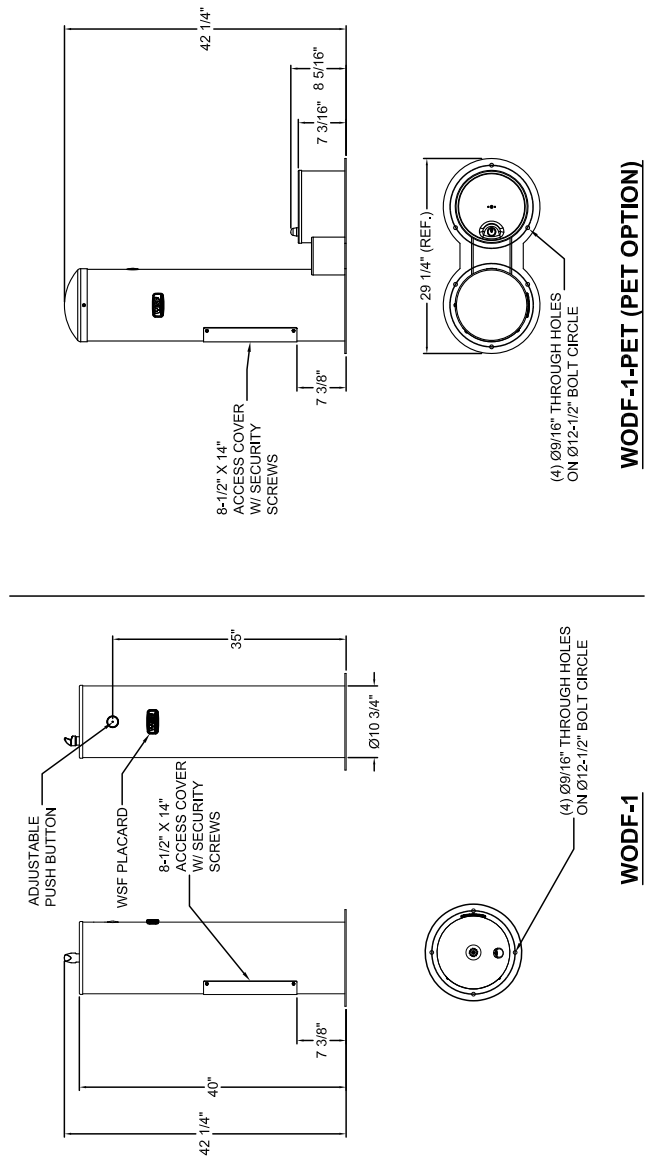
## **INSUFFICIENT FLOW**

- A. Ensure the service shut-off valve is fully open (provided by installer).
- B. Ensure water supply is within the normal operating range of 40-60 psi.
  - 1. If pressure is too low, flow can be drastically reduced.
  - 2. If pressure is too high, the strainer and/or valve may have been damaged.
  - 3. The unit is rated for a maximum range of 30-105 psi.
- C. Inspect the unit's valve for damage, and replace if necessary.
- D. Inspect the inline strainer for damage and/or clogging, and clean or replace as necessary.
- E. Check all fittings and tubing for damage and leaks. Replace components as necessary.

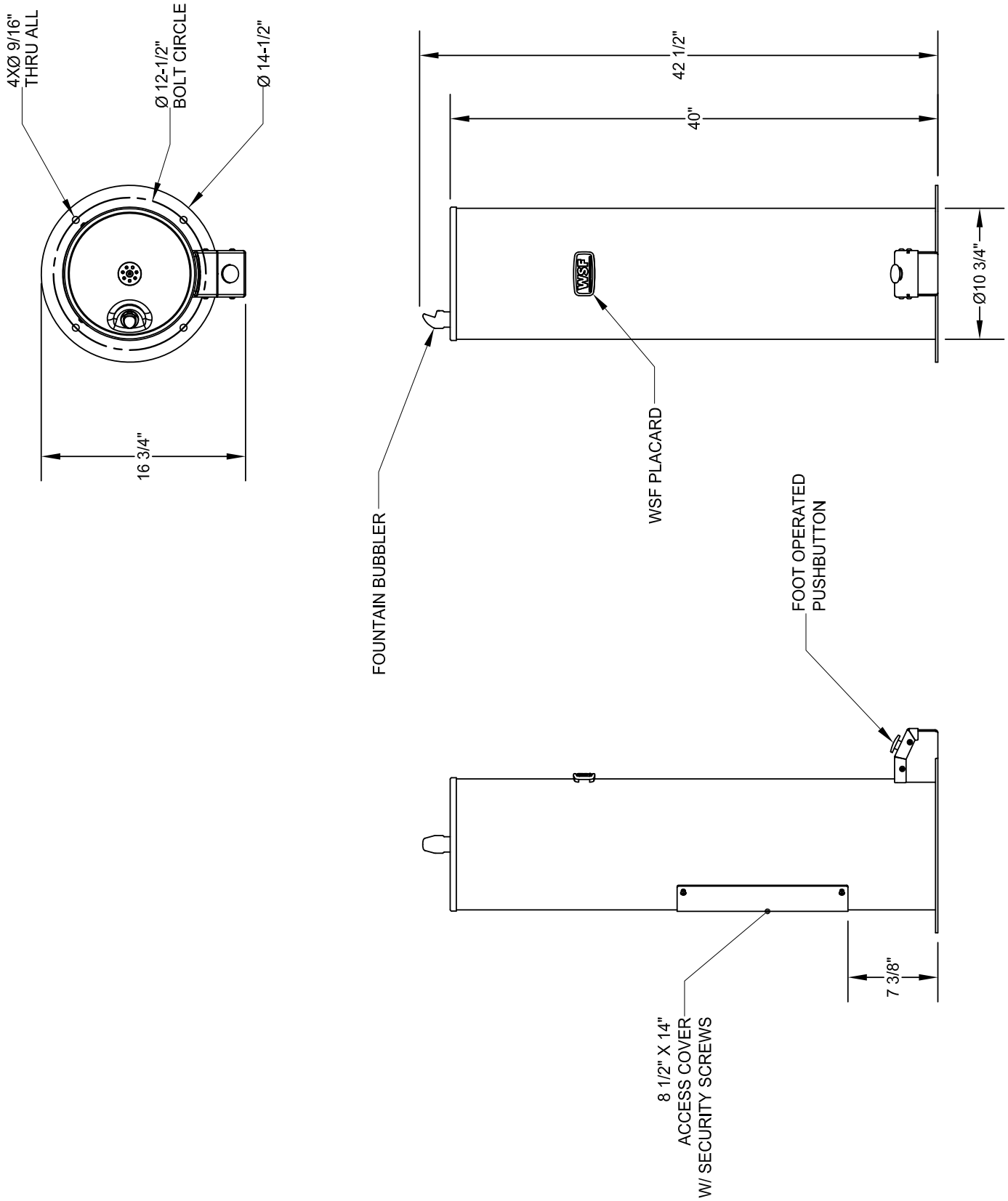
## **UNIT HAS PROBLEMS DRAINING**

- A. Remove any debris from the drain.
- B. Remove any debris from the PVC pipe and fittings.
- C. Check and clear the waste trap (provided by installer).

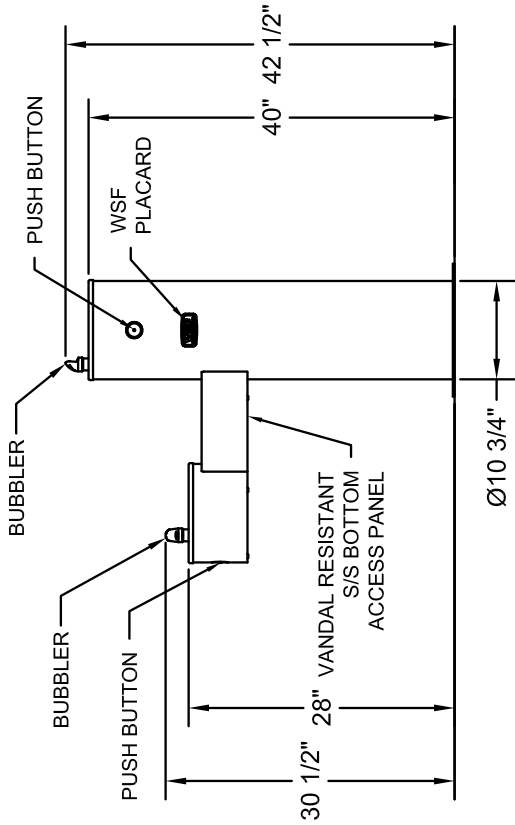
**DRAWING: WODF-1 Physical Dimensions**



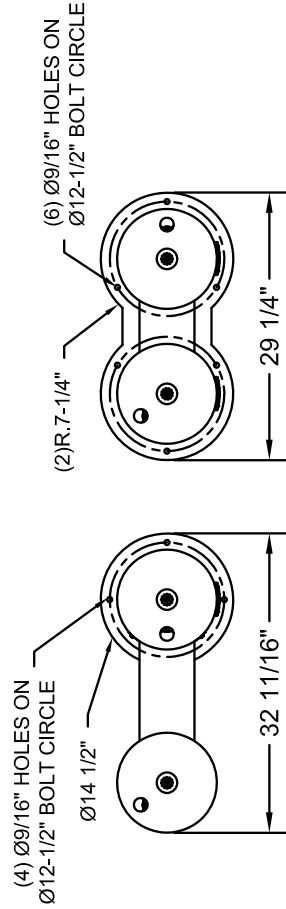
**DRAWING: WODF-1-HF-FO Physical Dimensions**



**DRAWING: WODF-2 Physical Dimensions**

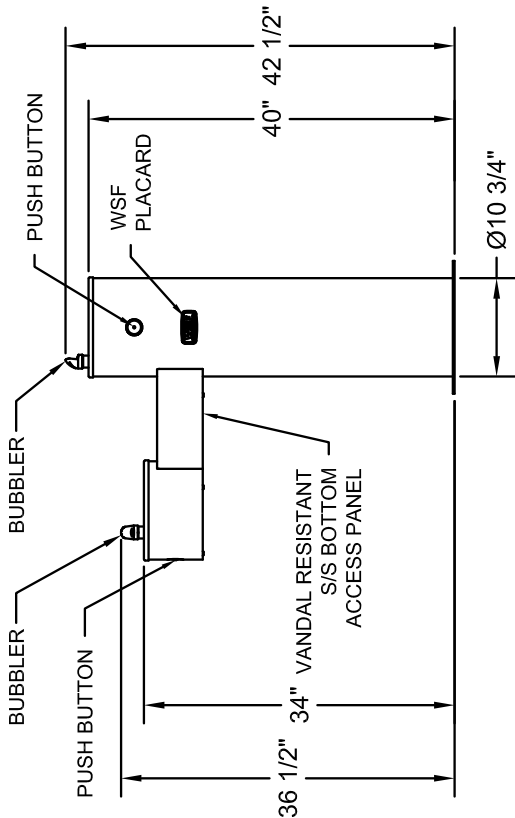


**WODF-2-CHD**

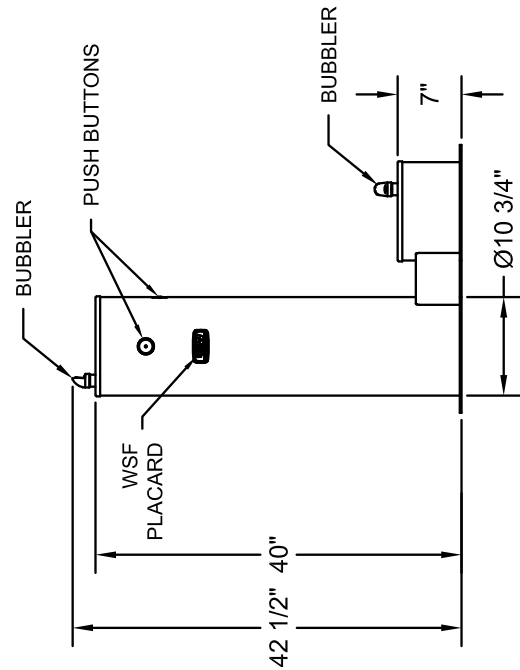


**WODF-2-PET**

**WODF-2-HC &  
WODF-2-CHD**

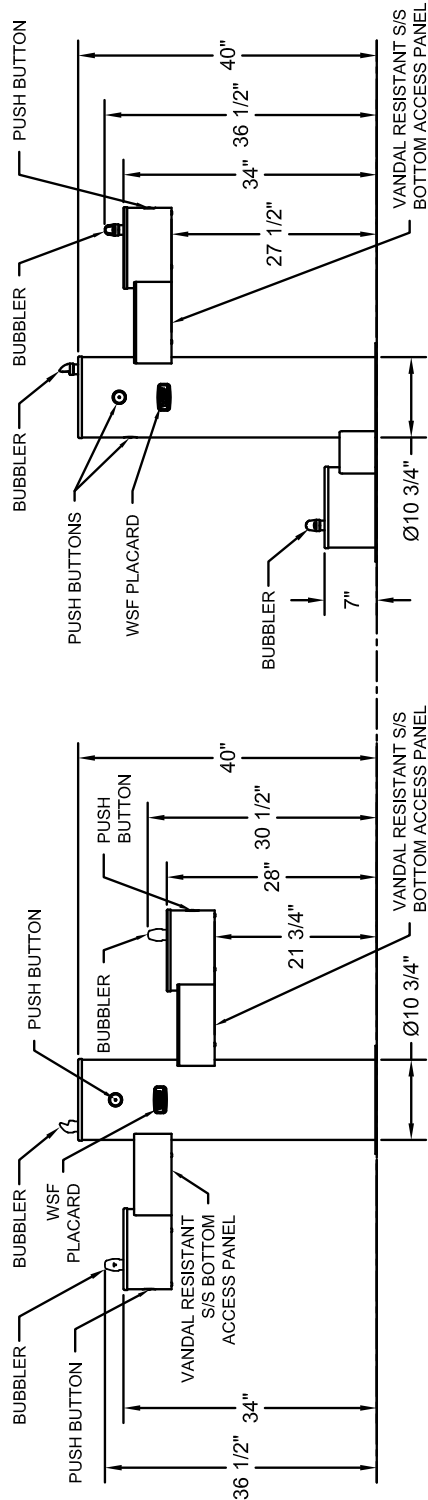


**WODF-2-HC**



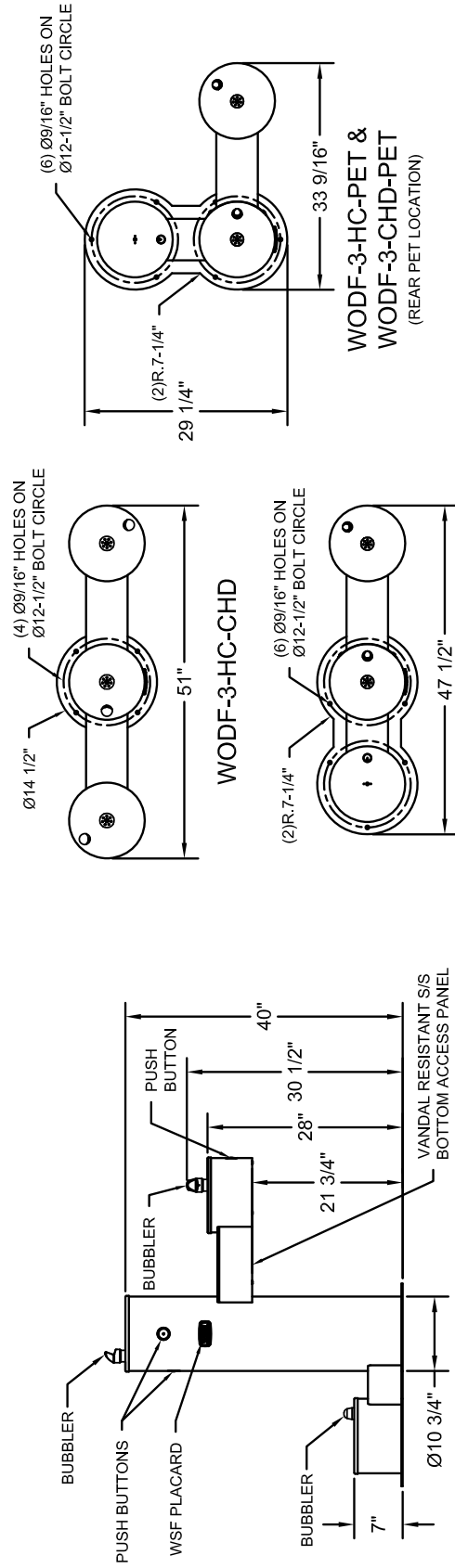
**WODF-2-PET**

**DRAWING: WODF-3 Physical Dimensions**



**WODF-3HC-CHD**

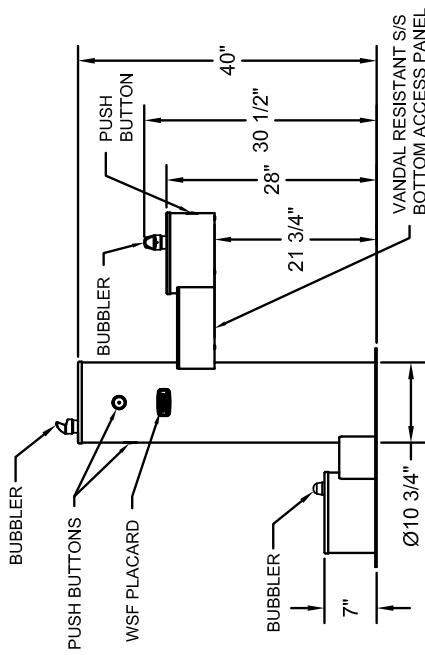
**WODF-3HC-PET**



**WODF-3HC-CHD**

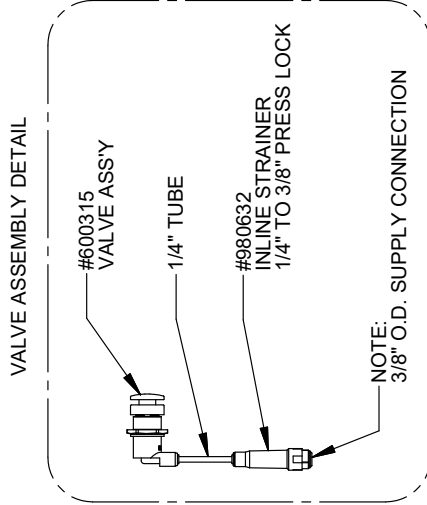
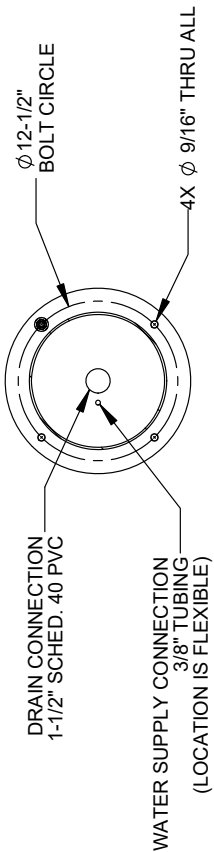
**WODF-3HC-PET & WODF-3CHD-PET (REAR PET LOCATION)**

**WODF-3HC-PET & WODF-3CHD-PET**

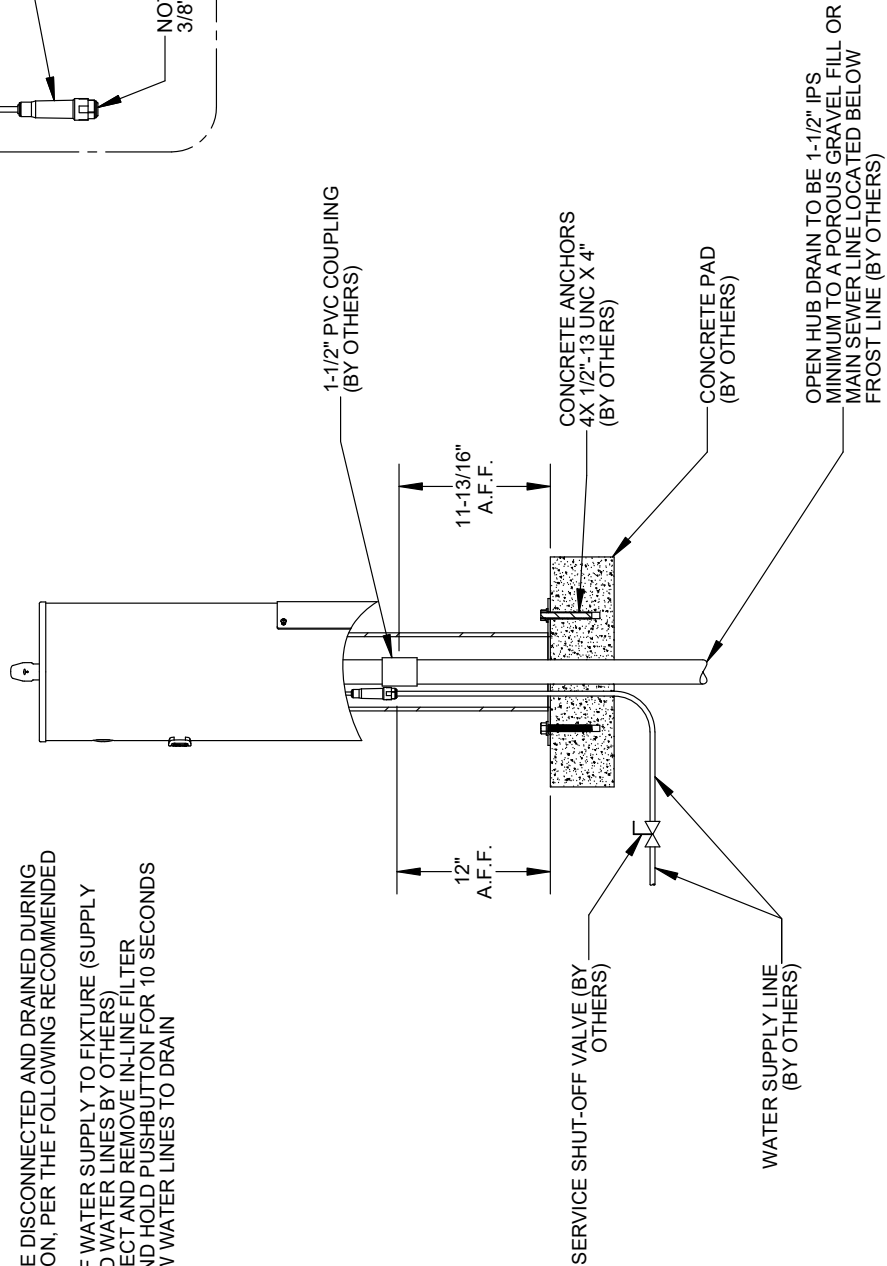


**WODF-3CHD-PET**

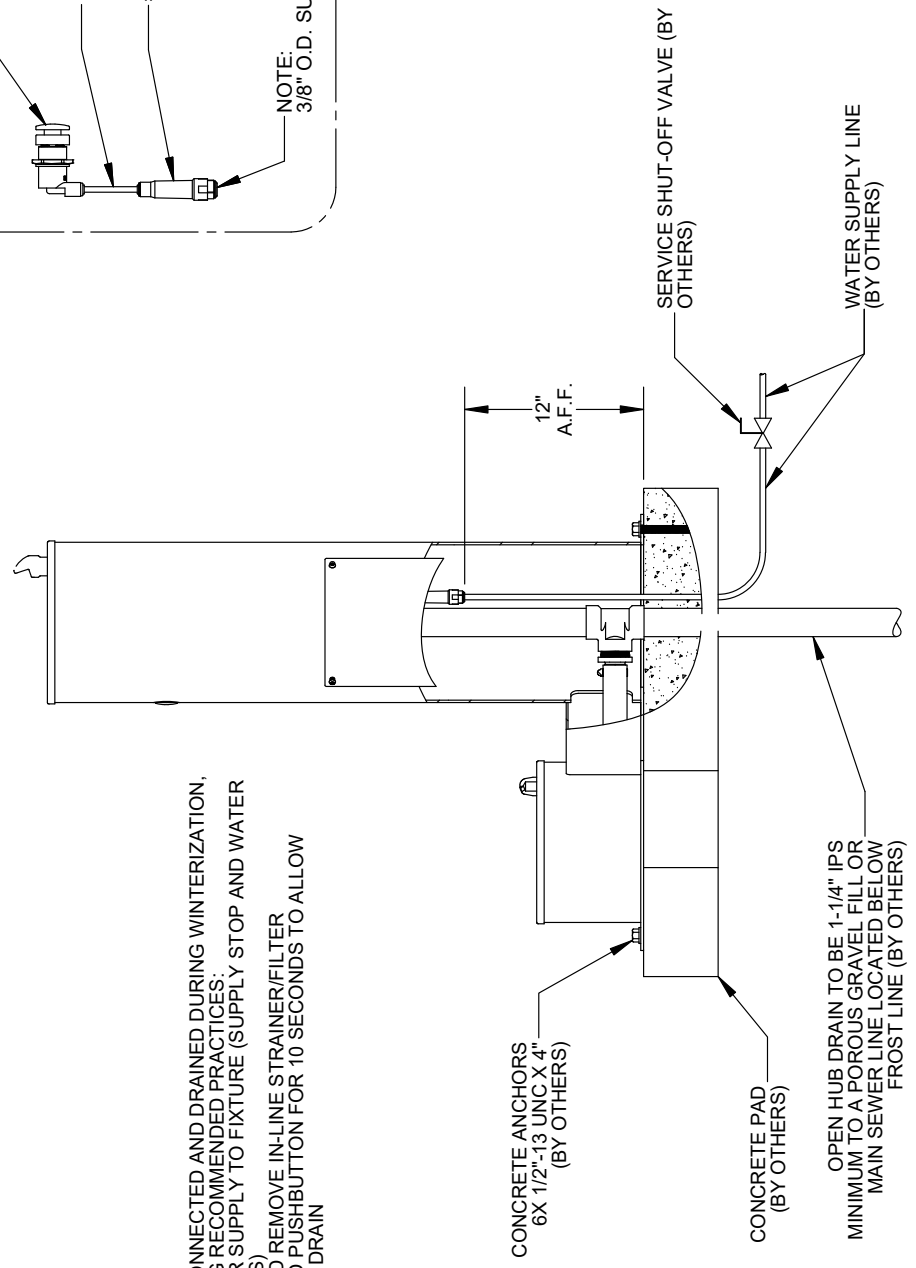
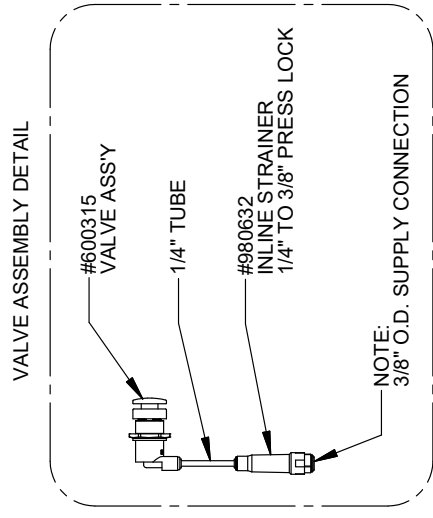
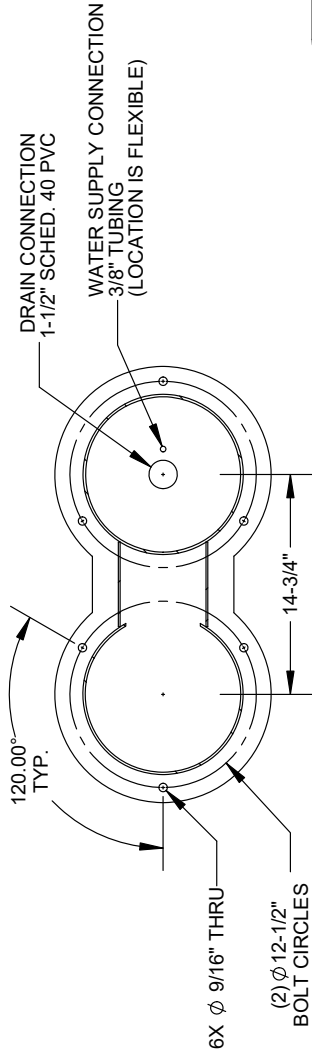
**DRAWING: WODF-1 Rough-in Dimensions**



NOTE:  
 UNIT MUST BE DISCONNECTED AND DRAINED DURING WINTERIZATION, PER THE FOLLOWING RECOMMENDED PRACTICES:  
 • SHUT OFF WATER SUPPLY TO FIXTURE (SUPPLY STOP AND WATER LINES BY OTHERS)  
 • DISCONNECT AND REMOVE IN-LINE FILTER  
 • PRESS AND HOLD PUSHBUTTON FOR 10 SECONDS TO ALLOW WATER LINES TO DRAIN

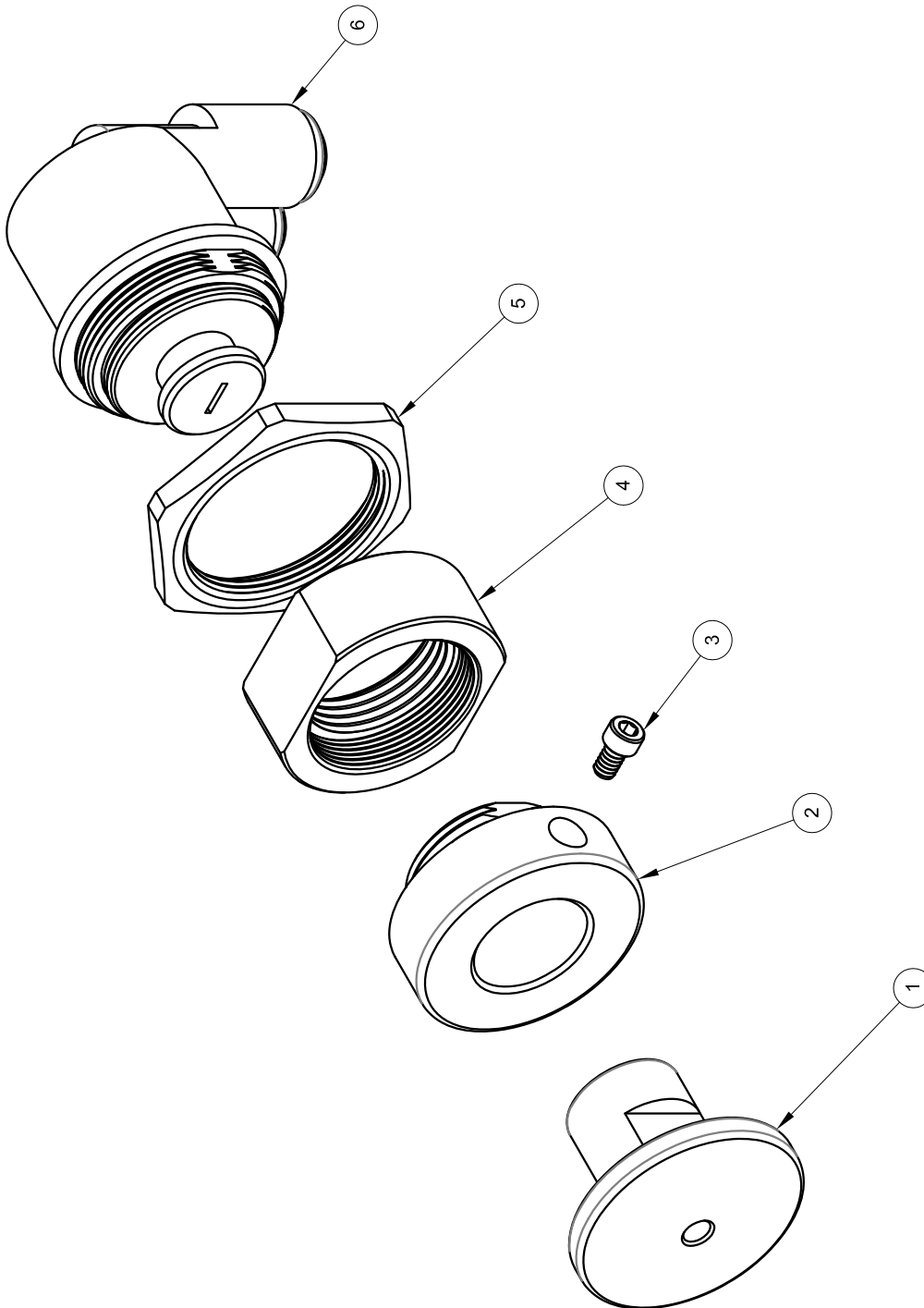


**DRAWING: WODF-2 -PET Rough-in Dimensions**



NOTE:  
 UNIT MUST BE DISCONNECTED AND DRAINED DURING WINTERIZATION, PER THE FOLLOWING RECOMMENDED PRACTICES:  
 • SHUT OFF WATER SUPPLY TO FIXTURE (SUPPLY STOP AND WATER LINES BY OTHERS)  
 • DISCONNECT AND REMOVE IN-LINE STRAINER/FILTER  
 • PRESS AND HOLD PUSHBUTTON FOR 10 SECONDS TO ALLOW WATER LINES TO DRAIN

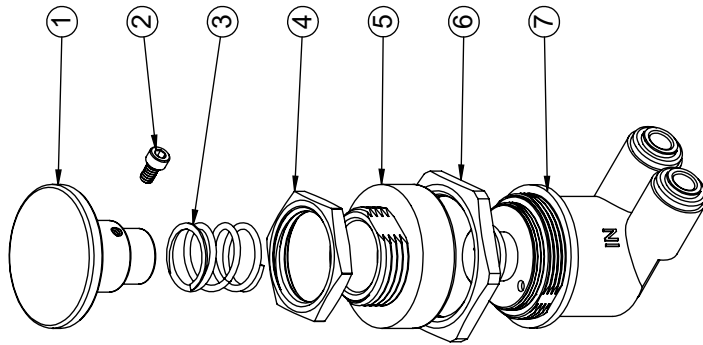
**DRAWING: Push Button Detail**



ITEM #	PART #	DESCRIPTION	QTY.
1	380110	PUSH PIN, ADJUSTABLE PUSHBUTTON VALVE	1
2	380111	SLEEVE, ADJUSTABLE PUSHBUTTON VALVE	1
3	800157	6-32 x 1/4" SH CAP SCREW	1
4	380062	SLEEVE, ADAPTER TO ELKAY PLASTIC SELF-CLOSING VALVE	1
5	600286	NUT, CARTRIDGE MOUNTING	1
6	600285	SELF-CLOSING CARTRIDGE, 1.0 GPM	1



**DRAWING: Foot Operated Push Button Detail**



ITEM #	PART #	DESCRIPTION	QTY.
1	380113	PUSH PIN FOR PET FOUNTAIN ADJUSTABLE PUSHBUTTON VALVE	1
2	800157	6-32 x 1/4" SH CAP SCREW	1
3	980142	SPRING FOR PET FOUNTAIN ADJUSTABLE PUSHBUTTON VALVE	1
4	600612N	HEXNUT, 3/4"-14 NPSM	1
5	380112	SLEEVE FOR PET FOUNTAIN ADJUSTABLE PUSHBUTTON VALVE	1
6	600286	NUT, CARTRIDGE MOUNTING	1
7	600285	SELF-CLOSING CARTRIDGE, 1.0 GPM	1

# **Warranty**

Willoughby Industries, Inc. warrants to commercial and institutional purchasers only that each unit will be free from defects in workmanship and materials under normal use and service upon the following terms and conditions for a period of one (1) year from date of shipment.

This warranty does not cover installation or any other labor charges and does not apply to any components damaged by accident, abuse, improper installation or improper maintenance. This warranty does not cover any installation that did not comply with national, state and local building, plumbing or electrical codes. The warranty is limited to replacing or repairing at manufacturer's option, transportation charges prepaid by the purchaser, any component or part which upon our inspection shall be deemed as defective within the limitations of this warranty. The replacement or repair of defective units as stated in this warranty shall constitute the sole remedy of the purchaser and the sole liability of Willoughby Industries, Inc. Willoughby Industries, Inc. shall not otherwise be liable under any indirect damages caused by defects in the repair or replacement thereof.

This warranty only extends to commercial and industrial purchasers and does not extend to any others, including consumer customers of commercial institutional purchasers. This warranty is in lieu of all other warranties, expressed or implied, including implied warranty of merchantability or fitness for a particular purpose or otherwise.