

# Willoughby Stainless Fountains



## CWBF-2WM Series Outdoor Wall Mounted Bottle Filler w/Drinking Fountain

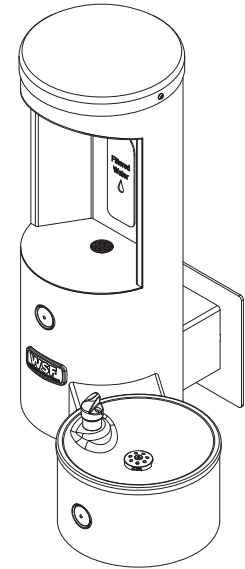
To specify fixture and options, use the Model Number and Options page.

Example: To specify a CWBF-2WM outdoor bottle filler with drinking fountain with recessed pushbutton, and 316 stainless steel body/cap/flange in Blue color

Use the following Willoughby Model Number: CWBF-2WM-RPB-316-2-BL

### Standard Features

- \* Simple, vandal-resistant pushbutton or optional infrared operation
- \* Quick, 1-gallon-per-minute fill rate
- \* One-piece fully-welded construction
- \* Standard heavy duty type 304 stainless steel 10" Sched. 10 main column and 7 Ga. flange
- \* Optional marine-grade type 316 stainless steel body for installations near salt water
- \* Solid stainless steel vandal resistant anti-rotation filler spout
- \* Solid stainless steel anti-rotation drinking fountain bubbler
- \* High polished stainless steel bowl
- \* Replaceable in-line charcoal filter on inlet water supply
- \* Promotes use of environmentally friendly refillable bottles, reducing use of disposable bottles
- \* Compliant to ADA reach height guidelines
- \* Powder coat finish (color options on page 2)



### Recommended Specifications

Wall mounted outdoor bottle filler shall be Willoughby Model No. CWBF-2WM \_\_\_\_ (see Model Number and Options guide for actuator selection).

Model CWBF-2WM outdoor bottle filler shall be a single-level, vandal resistant drinking fountain with 304 stainless steel 10" Sched. 10 main column and 7 Ga. flange.

Filler spout shall be activated by a recessed mounted solid stainless steel pushbutton assembly which controls a lead-free, self-closing valve (optional battery operated infrared activation available). Pushbutton operation shall require less than 5 lbs. of force.

Model CWBF-2WM bottle filler shall be lead-free and in compliance with ANSI/NSF 61, Section 9 requirements.

Optional 316 stainless steel body (main column, flange, and cap) are available for applications in which the unit's exterior may come into contact with salt water.



**WARNING:** Cancer and Reproductive Harm

- [www.P65Warnings.ca.gov](http://www.P65Warnings.ca.gov)

visit our website at [www.willoughbystainlessfountains.com](http://www.willoughbystainlessfountains.com)

5105 West 78th Street • Indianapolis, IN. 46268  
(317) 875-0830 • Fax: (317) 875-0837 • (800) 428-4065



MADE IN THE U.S.A.

# MODEL NUMBER AND OPTIONS:

## 1.) Outdoor Bottle Filler Type:

- CWBF-2WM 1 Outdoor Bottle Filler, and 1 Drinking Fountain Bowl

## 2.) Bottle Filler Actuator Options (select one):

- RPB Recessed Push Button  
 BO Battery Operated Infrared Sensor

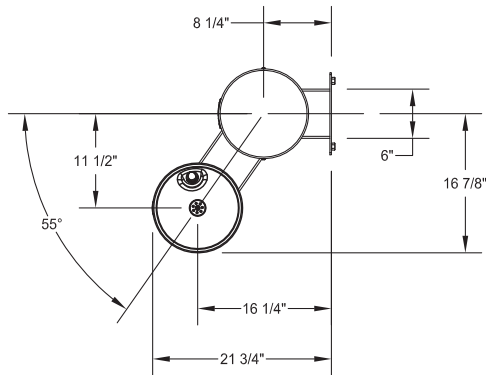
## 3.) Options:


- 316-2 316 Stainless Steel Body, Double  
 SOV Shut Off Valve  
 SCV Seasonal Bowl Cover (1)

## 4.) Colors (select one):

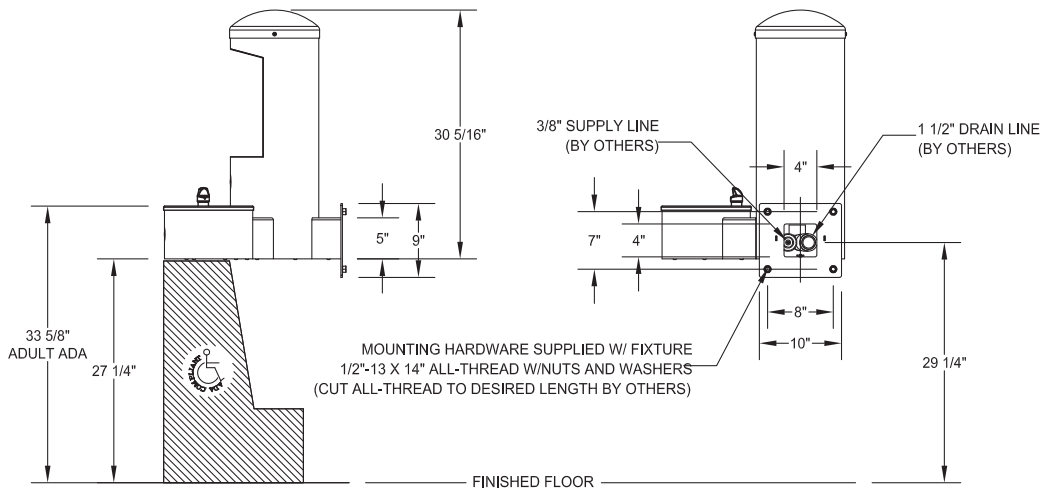
- SL Silver  
 G Green  
 R Red  
 BL Blue  
 O Orange  
 V Violet  
 Y Yellow  
 BR Brown  
 BK Black  
 TBK Black (Textured)  
 BE Beige  
 W White  
 YG Yellow Green  
 LBL Light Blue  
 GT Graphite (Textured)  
 MTW Matte White

Approved For Manufacturing By: \_\_\_\_\_ Date: \_\_\_\_\_ Company: \_\_\_\_\_  
 Wall Thickness: \_\_\_\_\_ Wall Type: \_\_\_\_\_



 **ADA COMPLIANCE**  
 FIXTURE COMPLIES WITH ADA ACCESSIBILITY REQUIREMENTS WHEN INSTALLED ACCORDING TO THE STANDARD. INSTALLATION MAY REQUIRE ADDITIONAL FIXTURES, COMPONENTS AND/OR CONSTRUCTION FEATURES TO BE FULLY COMPLIANT. CONSULT THE LOCAL CODE AUTHORITY IF NEEDED.

**VERIFY ALL DIMENSIONS WITH FACTORY PRIOR TO ROUGH-IN**  
 WILLOUGHBY RESERVES THE RIGHT TO MAKE CHANGES IN DESIGN AND DIMENSIONS WITHOUT FORMAL NOTICE AND WITHOUT INCURRING OBLIGATION.



visit our website at [www.wiloughbystainlessfountains.com](http://www.wiloughbystainlessfountains.com)

5105 West 78th Street • Indianapolis, IN. 46268  
 (317) 875-0830 • Fax: (317) 875-0837 • (800) 428-4065



MADE IN THE U.S.A.