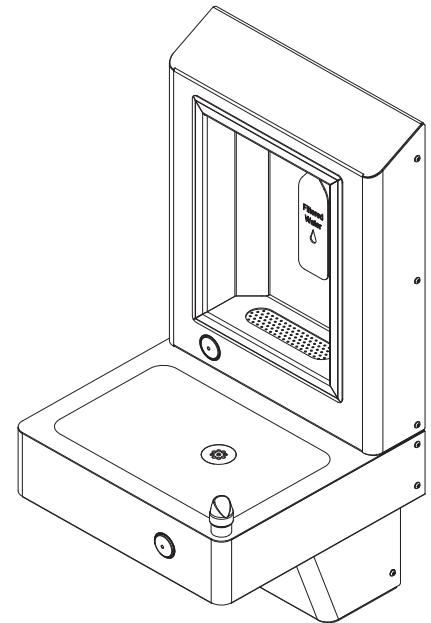


Willoughby Stainless Fountains



WOBFDF-FA Series Stainless Steel ADA Compliant Front Mounted Bottle Filler w/ Drinking Fountain



Standard Features

Stainless Steel, ADA Compliant, Front Mounted Bottle Filler w/ Drinking Fountain shall be: Willoughby Model No. **WOBFDF-FA**

Model **WOBFDF-FA** bottle filler shall be constructed of vandal resistant 304 stainless steel. With a removable bottom shroud.

Filler spout shall be activated by a solid stainless steel pushbutton assembly which controls a lead-free, self-closing valve. Pushbutton operation shall require less than 5 lbs. of force to activate.

Model **WOBFDF-FA** bottle filler shall be lead-free and in compliance with ANSI/NSF 61, Section 9 requirements.

Anchoring shall be by wall mounting frame attached to wall. Anchoring hardware is to be provided by others.

Recommended Specifications

- * Adult A.D.A. compliant
- * Compliant to ADA reach height guidelines
- * Quick, 1-gallon-per-minute bottle fill rate
- * Solid stainless steel vandal resistant anti-rotation bottle filler spout
- * Solid stainless steel anti-rotation drinking fountain bubbler
- * Resistant to sunlight, heat, and vandalism
- * Replaceable in-line charcoal filter on inlet water supply
- * Promotes use of environmentally friendly refillable bottles, reducing use of disposable bottles
- * Powder coat finish (color options on page 2)

To specify fixture and options, use the Model Number and Options page.

Example: To specify a WOBFDF-FA front mounted bottle filler with single temp non-metering valve, recessed pushbutton, and in Silver color.

Use the following Willoughby Model Number: WOBFDF-FA-SL



WARNING: Cancer and Reproductive Harm

- www.P65Warnings.ca.gov

visit our website at www.willoughbystainlessfountains.com

5105 West 78th Street • Indianapolis, IN. 46268
(317) 875-0830 • Fax: (317) 875-0837 • (800) 428-4065



MADE IN THE U.S.A.

MODEL NUMBER AND OPTIONS:

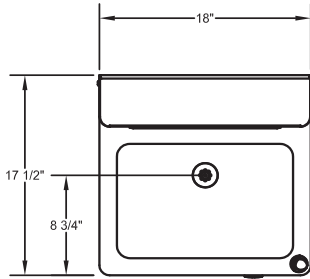
1.) Type:

- WOBFDF-FA Stainless Steel, ADA Compliant,
Front Mounted, Bottle Filler w/ Drinking
Fountain

2.) Colors (select one):

- SL Silver
 G Green
 R Red
 BL Blue
 O Orange
 V Violet
 Y Yellow
 BR Brown
 BK Black
 TBK Black (Textured)
 BE Beige
 W White
 YG Yellow Green
 LBL Light Blue
 GT Graphite (Textured)
 MTW Matte White

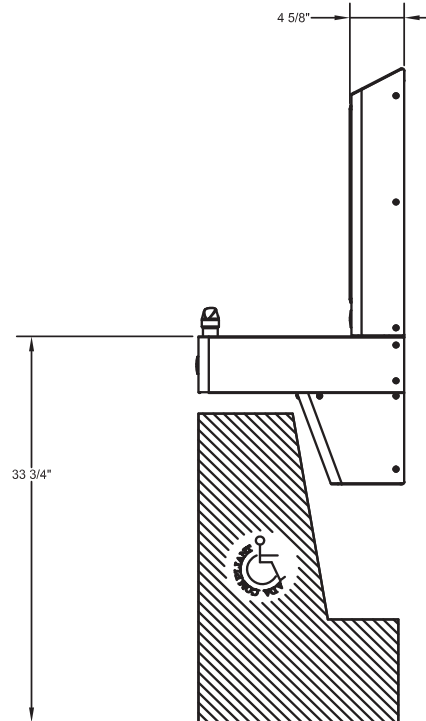
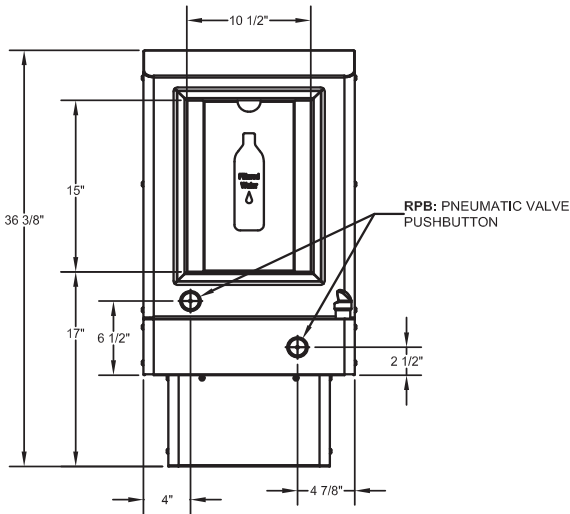
Approved For Manufacturing By: _____ Date: _____ Company: _____
 Wall Thickness: _____ Wall Type: _____



ADA COMPLIANCE

FIXTURE COMPLIES WITH ADA ACCESSIBILITY REQUIREMENTS WHEN INSTALLED ACCORDING TO THE STANDARD. INSTALLATION MAY REQUIRE ADDITIONAL FIXTURES, COMPONENTS AND/OR CONSTRUCTION FEATURES TO BE FULLY COMPLAINT. CONSULT THE LOCAL CODE AUTHORITY IF NEEDED.

VERIFY ALL DIMENSIONS WITH FACTORY PRIOR TO ROUGH-IN
 WILLOUGHBY RESERVES THE RIGHT TO MAKE CHANGES IN DESIGN AND DIMENSIONS WITHOUT FORMAL NOTICE AND WITHOUT INCURRING OBLIGATION.



visit our website at www.willoughbystainlessfountains.com

5105 West 78th Street • Indianapolis, IN. 46268

(317) 875-0830 • Fax: (317) 875-0837 • (800) 428-4065



MADE IN THE U.S.A.