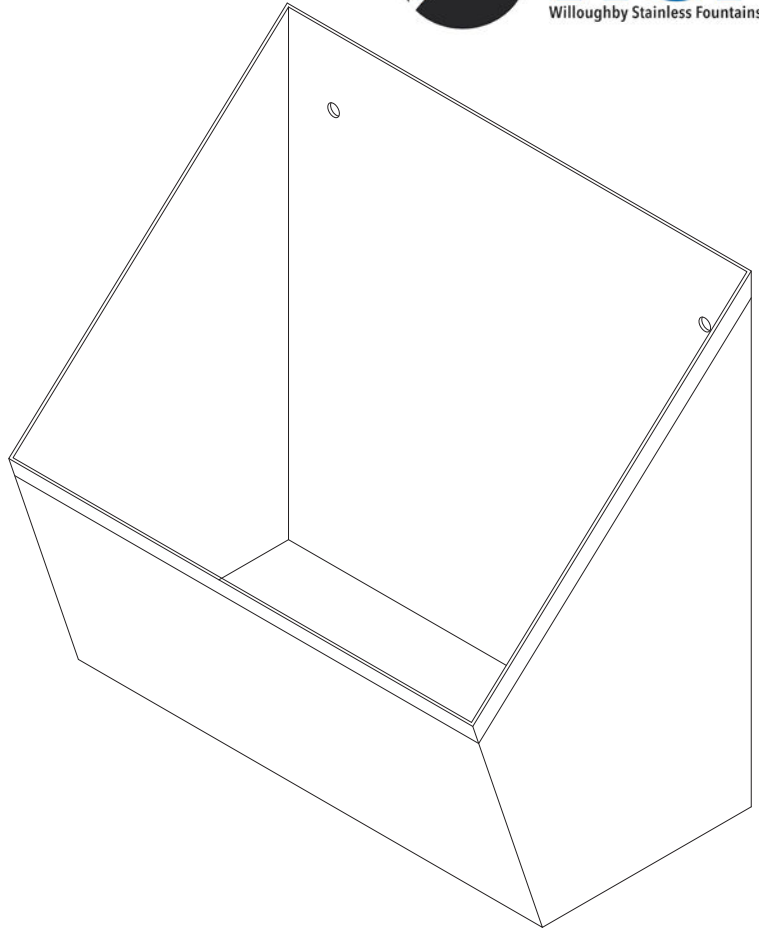


Willoughby Stainless Fountains



WU-1010 Single Person Waterless Trough Urinal



Recommended Specifications

Single Person Waterless Trough Urinal shall be:
Willoughby Model No. **WU-1010**
(Select from model number and options list on next page)

Fixture is fabricated from 16 GA., Type 304 stainless steel.
The construction shall be all-welded with exposed stainless
surfaces polished to a #3 satin finish.

Standard equipment shall include:
- Strainer with 1-1/2" M.P.T. pipe nipple

Anchoring shall be from the front, anchoring holes provided.
Anchor hardware by others.

Unit requires no chase area for installation and maintenance.

To specify fixture and accessories, use the Model Number and Options page.
Example: To specify a Single Person Waterless Trough Urinal
Use the following Willoughby Model Number: **WU-1010**



WARNING: Cancer and Reproductive Harm

- www.P65Warnings.ca.gov

visit our website at www.willoughbystainlessfountains.com

5105 West 78th Street • Indianapolis, IN. 46268
(317) 875-0830 • Fax: (317) 875-0837 • (800) 428-4065



MADE IN THE U.S.A.

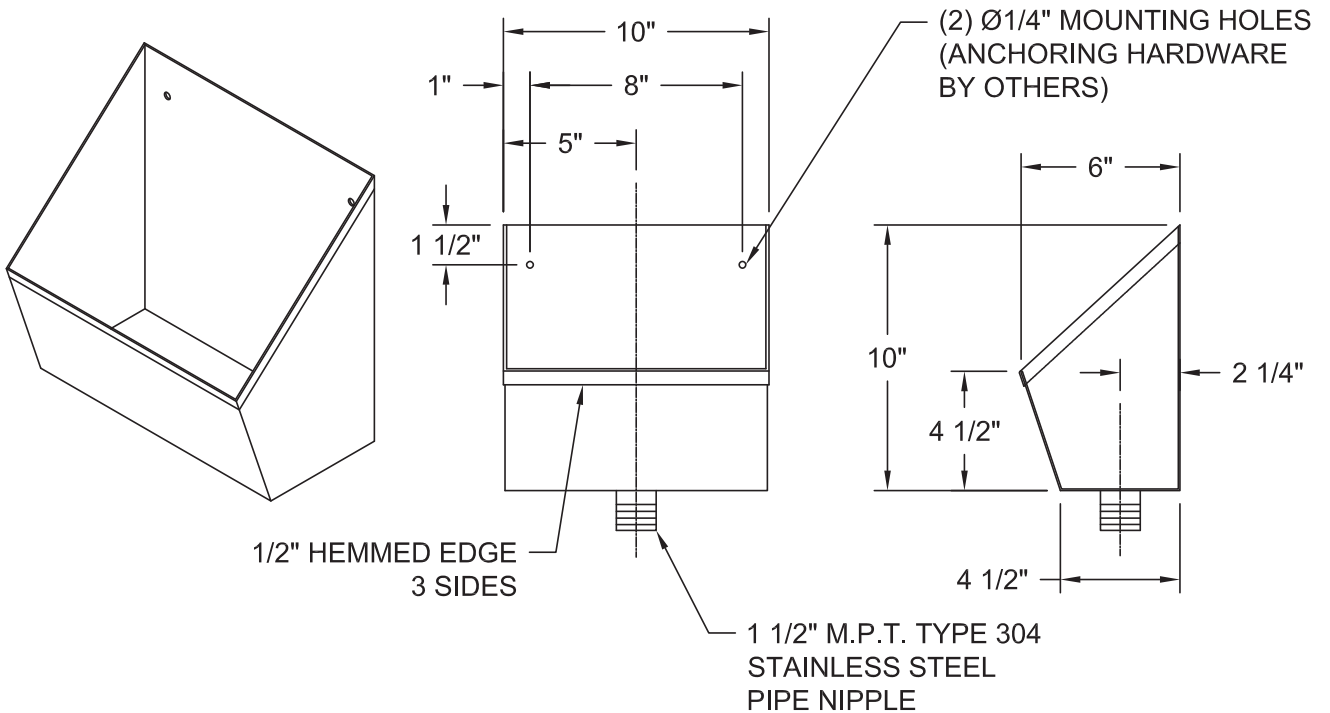
MODEL NUMBER AND OPTIONS:

1.) Base Model Number:

WU-1010 Single Person Waterless Trough Urinal

Approved For Manufacturing By: _____ Date: _____ Company: _____
 Wall Thickness: _____ Wall Type: _____

VERIFY ALL DIMENSIONS WITH FACTORY PRIOR TO ROUGH-IN
 WILLOUGHBY RESERVES THE RIGHT TO MAKE CHANGES IN DESIGN AND DIMENSIONS WITHOUT FORMAL NOTICE AND WITHOUT INCURRING OBLIGATION.



visit our website at www.wiloughbystainlessfountains.com

5105 West 78th Street • Indianapolis, IN. 46268
 (317) 875-0830 • Fax: (317) 875-0837 • (800) 428-4065



MADE IN THE U.S.A.