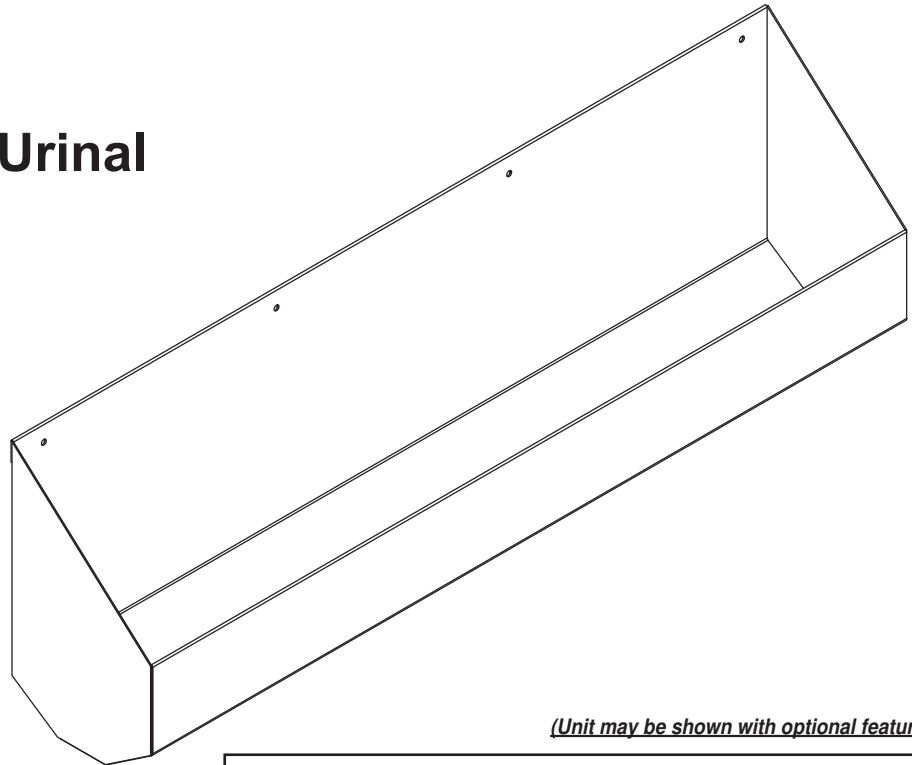


Willoughby Stainless Fountains



WWU-1500 Series Stainless Steel Multi-Person Waterless Trough Urinal



(Unit may be shown with optional features)

Recommended Specifications

To specify fixture and accessories, use the Model Number and Options page.

Example: To specify a 36" Stainless Steel, Multi-Person Waterless Trough Urinal

Use the following Willoughby Model Number:

WWU-1536

Stainless Steel, Multi-Person Waterless Trough Urinal shall be:
Willoughby Model No. **WWU-15**____
(Select from model number and options list on next page)

Fixture is fabricated from 14 GA., Type 304 stainless steel. The construction shall be all-welded with exposed stainless surfaces polished to a #4 satin finish.

Standard equipment shall include:

- Beehive strainer with Ø1-1/2", 2" long tailpiece

Anchoring shall be from the front, anchoring holes provided.
Anchor hardware by others.

Unit requires no chase area for installation and maintenance.



WARNING: Cancer and Reproductive Harm

- www.P65Warnings.ca.gov

visit our website at www.willoughbystainlessfountains.com

5105 West 78th Street • Indianapolis, IN. 46268
(317) 875-0830 • Fax: (317) 875-0837 • (800) 428-4065



MADE IN THE U.S.A.

MODEL NUMBER AND OPTIONS:

1.) Base Model Number:

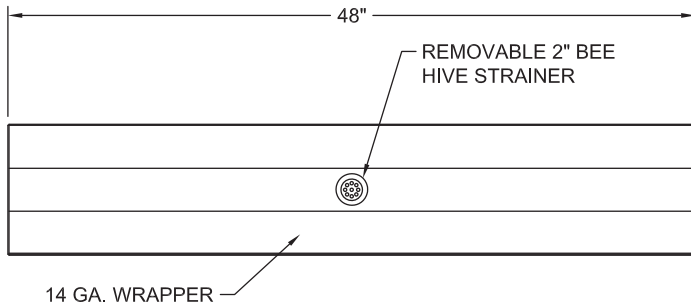
- WWU-1536 36" Stainless Steel, Multi-Person, Waterless Trough Urinal
- WWU-1548 48" Stainless Steel, Multi-Person, Waterless "
- WWU-1560 60" Stainless Steel, Multi-Person, Waterless "
- WWU-1572 72" Stainless Steel, Multi-Person, Waterless "
- WWU-1596 96" Stainless Steel, Multi-Person, Waterless "

2.) Options:

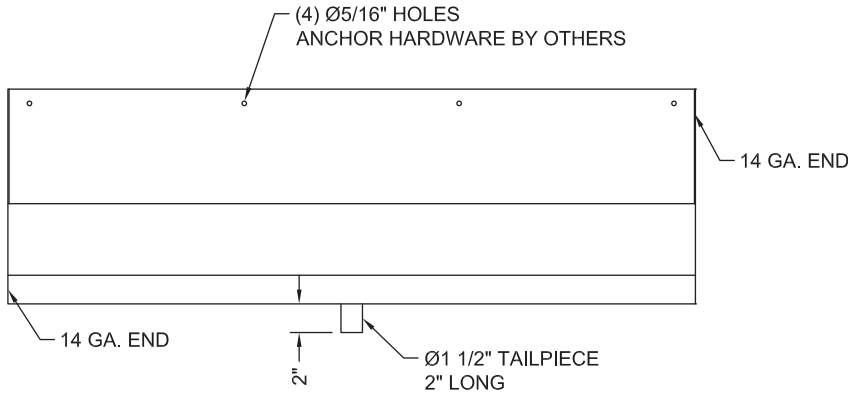
- BKSPL36 36" x 36" 14 GA. Stainless Steel Backsplash
- BKSPL48 36" x 48" 14 GA. "
- BKSPL60 36" x 60" 14 GA. "
- BKSPL72 36" x 72" 14 GA. "
- BKSPL96 36" x 96" 14 GA. "
- Other _____
- Other _____

Approved For Manufacturing By: _____ Date: _____ Company: _____
 Wall Thickness: _____ Wall Type: _____

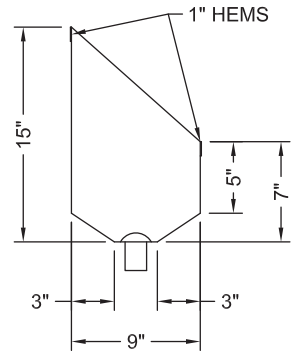
VERIFY ALL DIMENSIONS WITH FACTORY PRIOR TO ROUGH-IN
 WILLOUGHBY RESERVES THE RIGHT TO MAKE CHANGES IN DESIGN AND DIMENSIONS WITHOUT FORMAL NOTICE AND WITHOUT INCURRING OBLIGATION.



PLAN VIEW



FRONT VIEW



SIDE VIEW

visit our website at www.wiloughbystainlessfountains.com

5105 West 78th Street • Indianapolis, IN. 46268
 (317) 875-0830 • Fax: (317) 875-0837 • (800) 428-4065



MADE IN THE U.S.A.